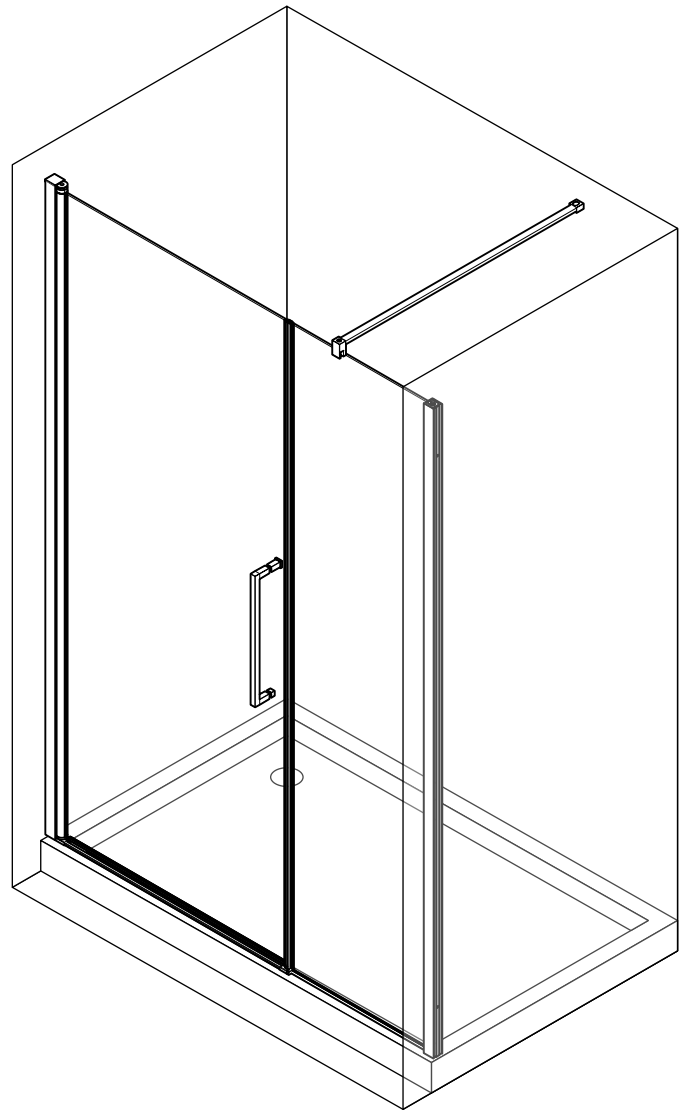
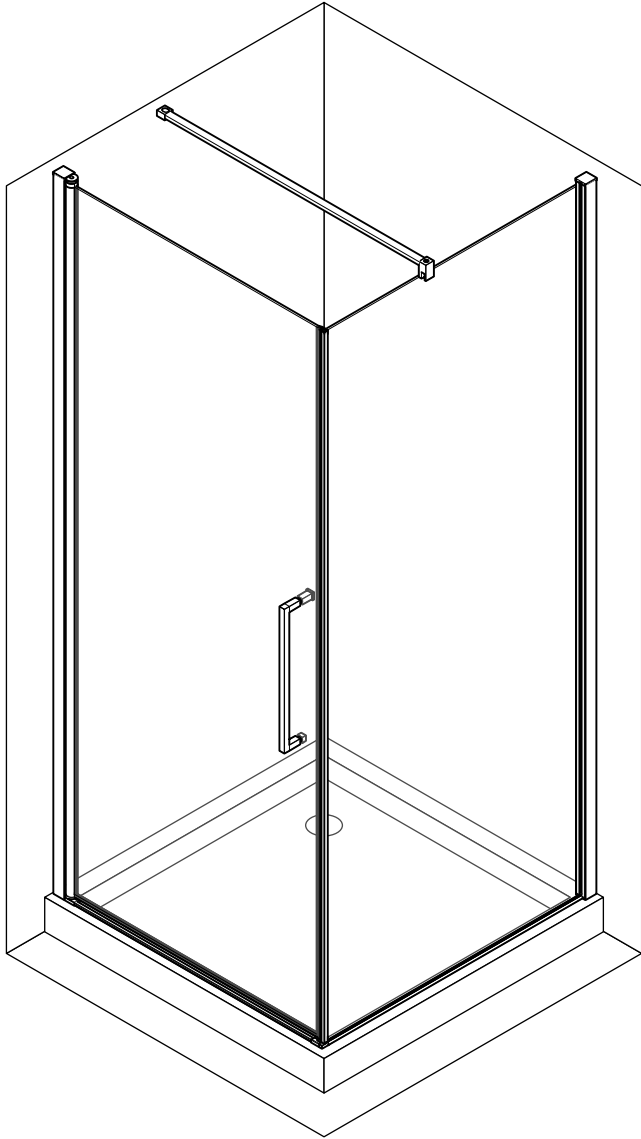


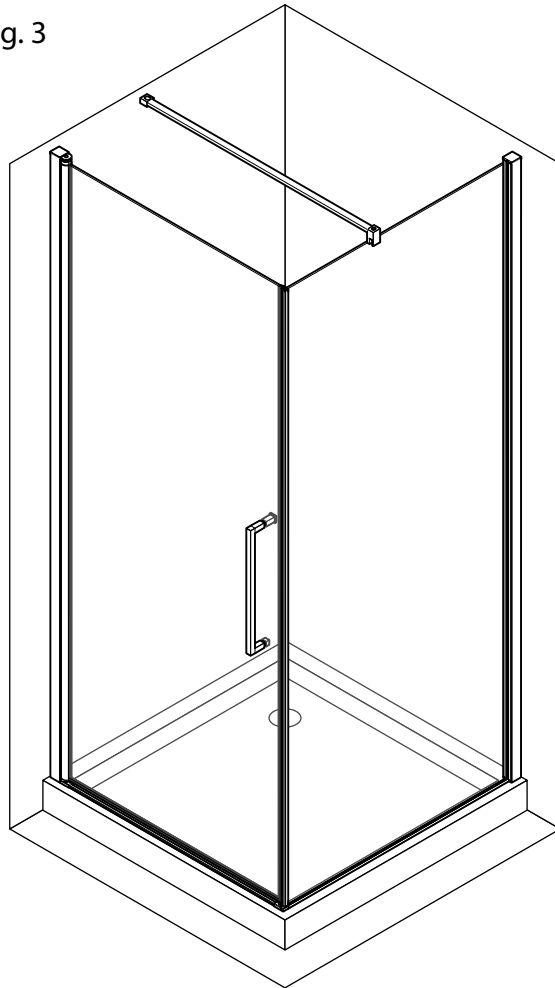
YOUNG 2.0

GF

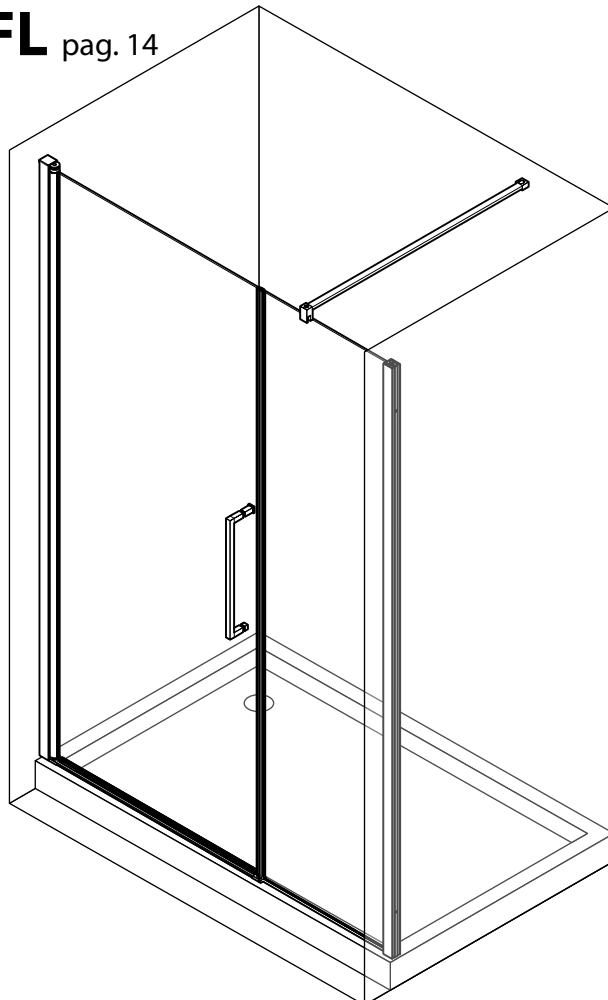


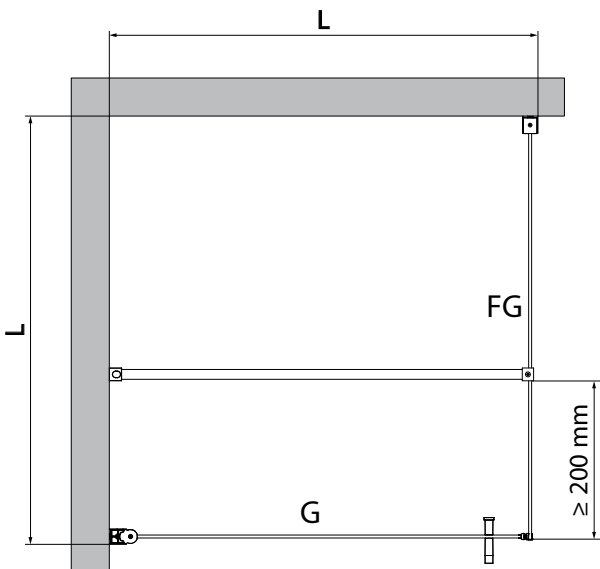
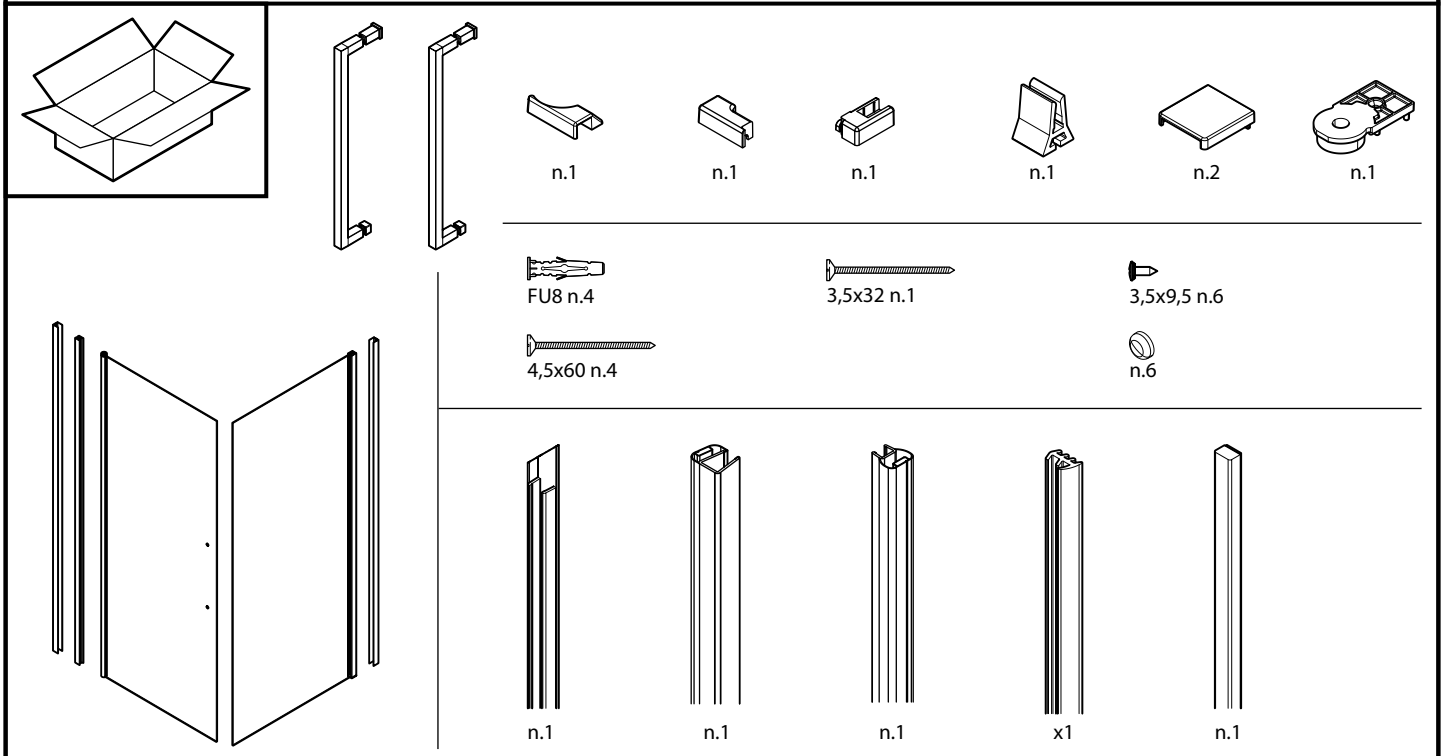
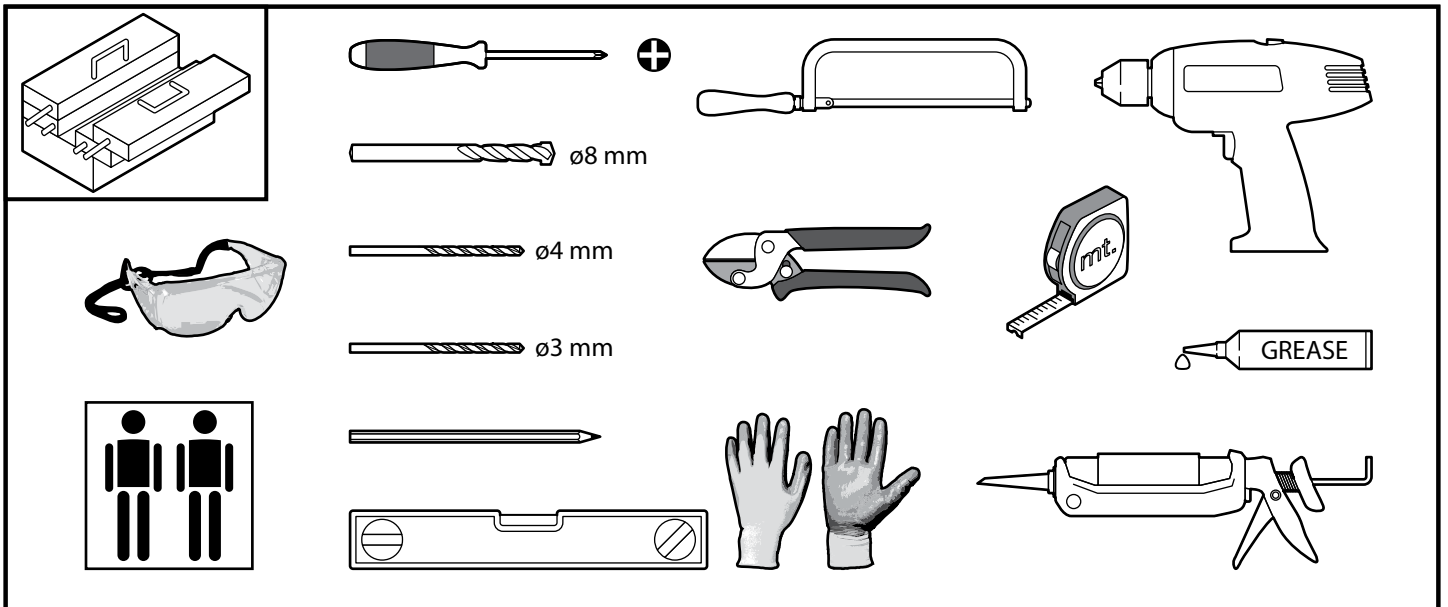
<hr/> <hr/> <hr/> <hr/>	<hr/> <hr/> <hr/> <hr/>
-------------------------	-------------------------

Young 2.0 GF pag. 3



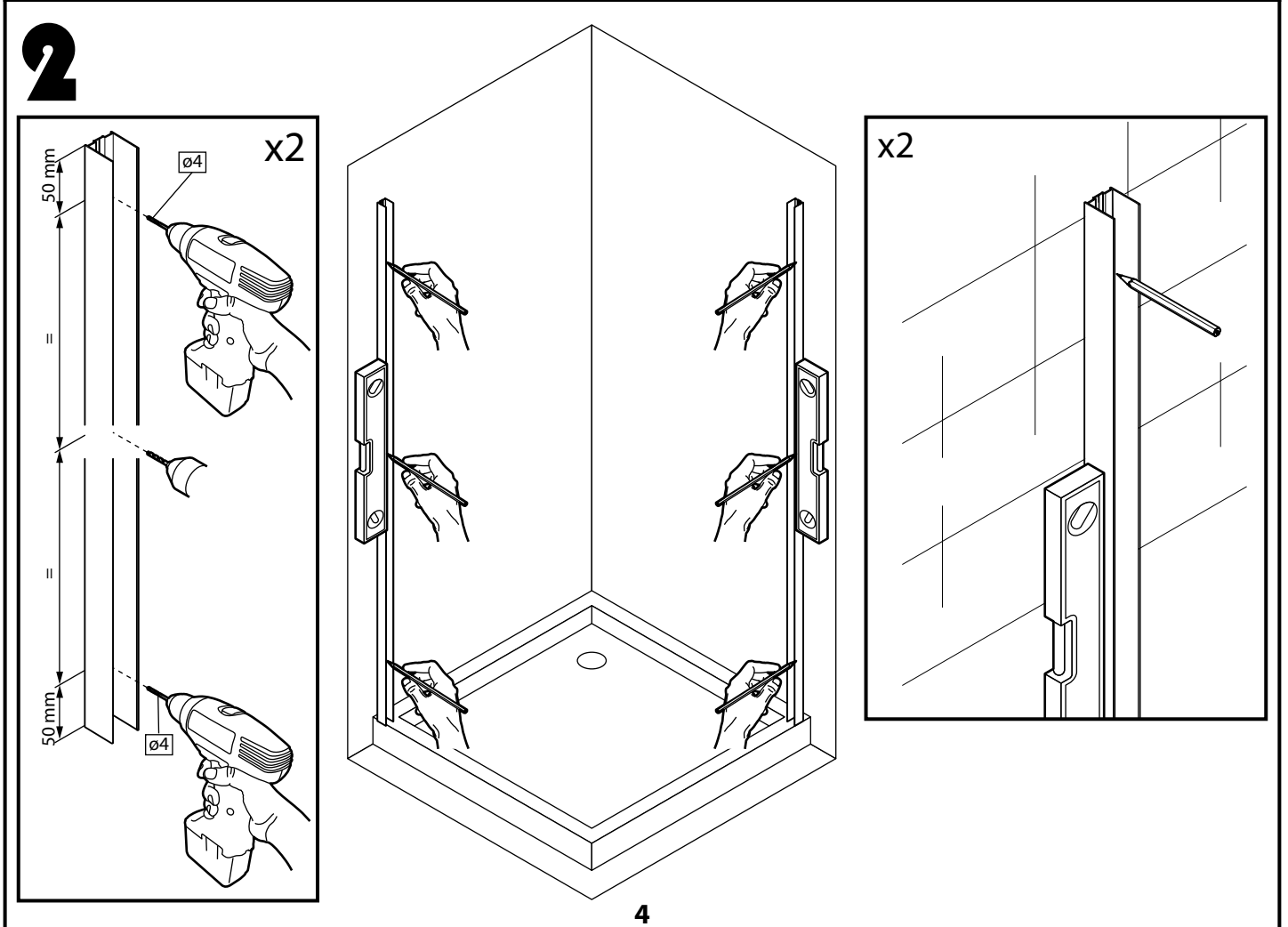
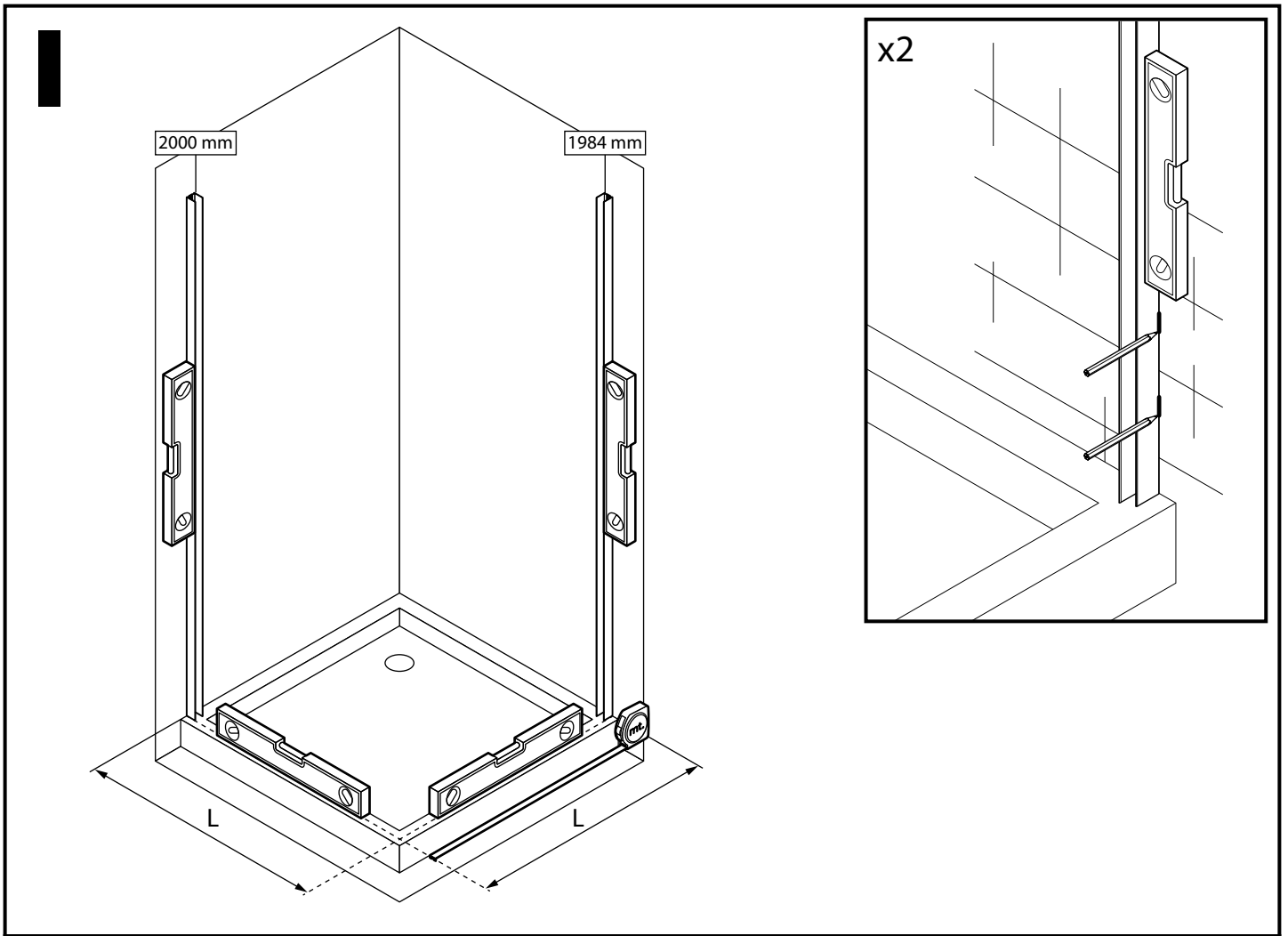
Young 2.0 G+FL pag. 14



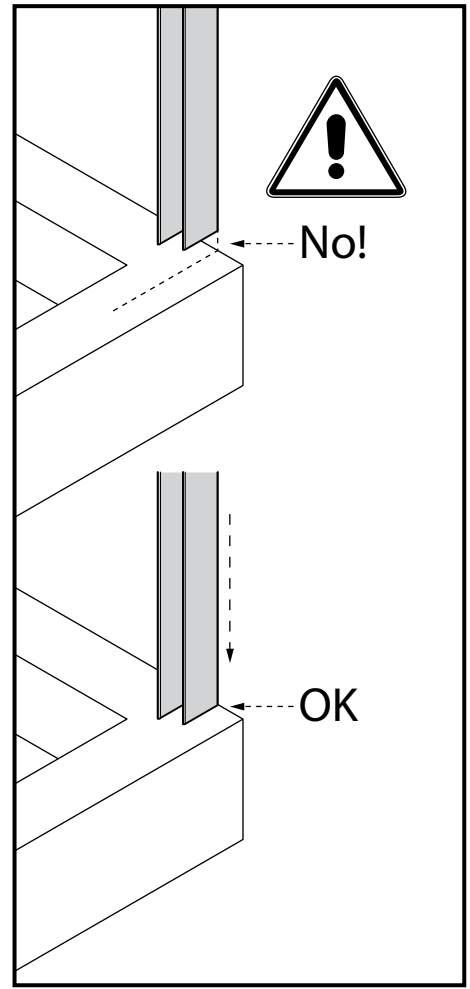
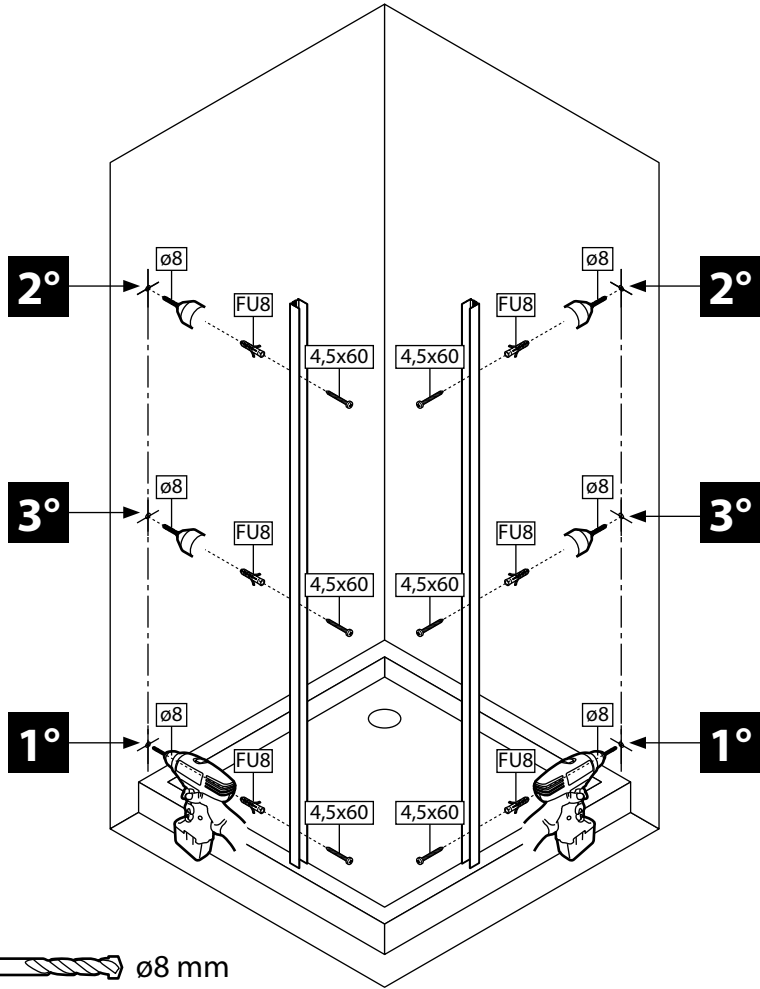


FG57	L=57-59 cm
FG59	L=59-61 cm
FG61	L=61-63 cm
FG65	L=65-67 cm
FG67	L=67-69 cm
FG69	L=69-71 cm
FG73	L=73-75 cm
FG75	L=75-77 cm
FG77	L=77-79 cm
FG79	L=79-81 cm
FG85	L=85-87 cm
FG87	L=87-89 cm
FG89	L=89-91 cm
FG95	L=95-97 cm
FG97	L=97-99 cm
FG99	L=99-101 cm
FG117	L=117-119 cm
FG119	L=119-121 cm

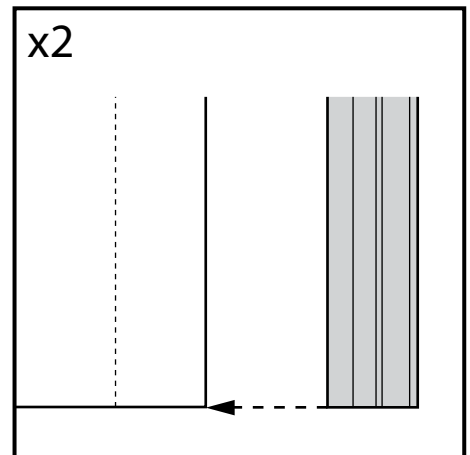
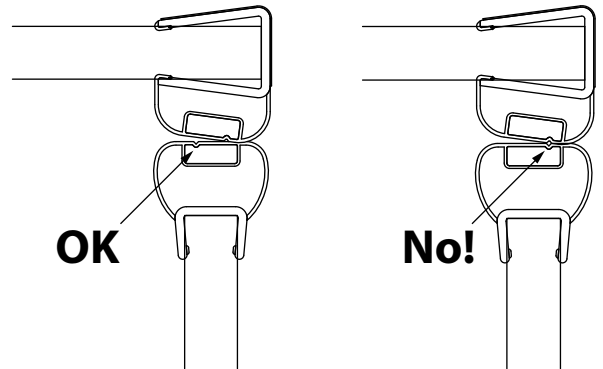
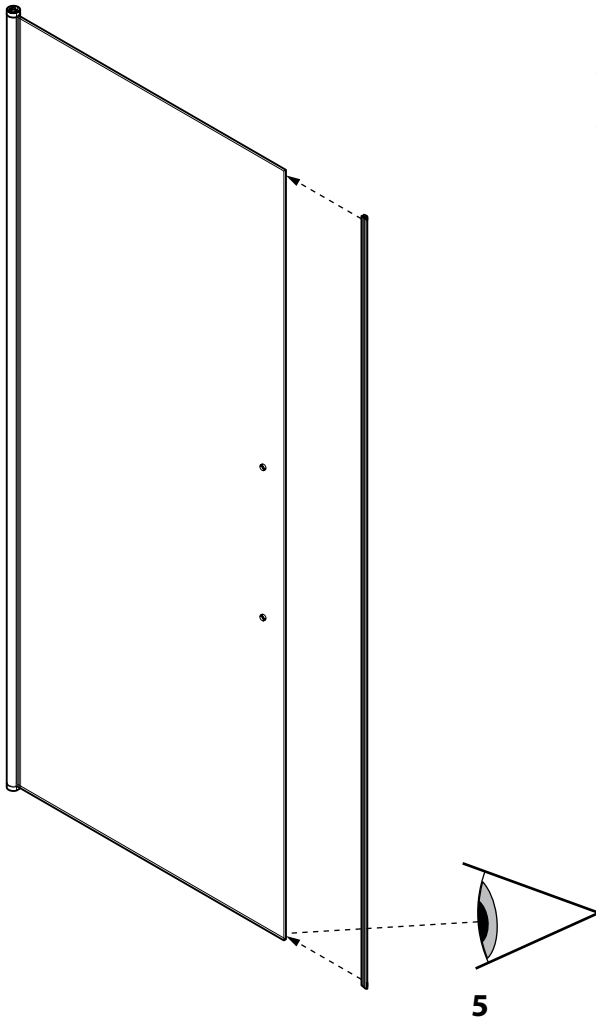
G57	L=57-59 cm
G59	L=59-61 cm
G61	L=61-63 cm
G65	L=65-67 cm
G67	L=67-69 cm
G69	L=69-71 cm
G72	L=72-74 cm
G74	L=74-76 cm
G77	L=77-79 cm
G79	L=79-81 cm
G85	L=85-87 cm
G87	L=87-89 cm
G89	L=89-91 cm
G95	L=95-97 cm
G97	L=97-99 cm
G99	L=99-101 cm



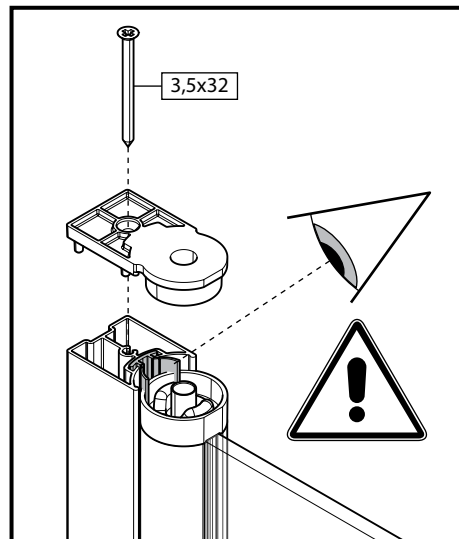
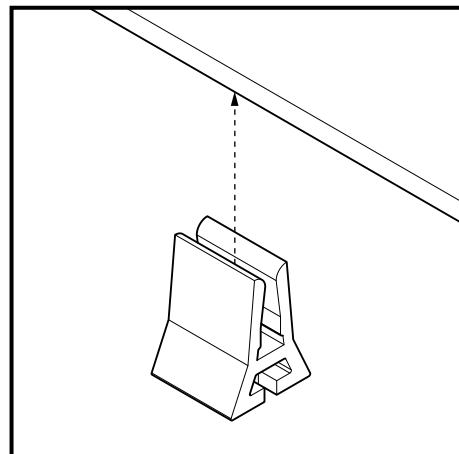
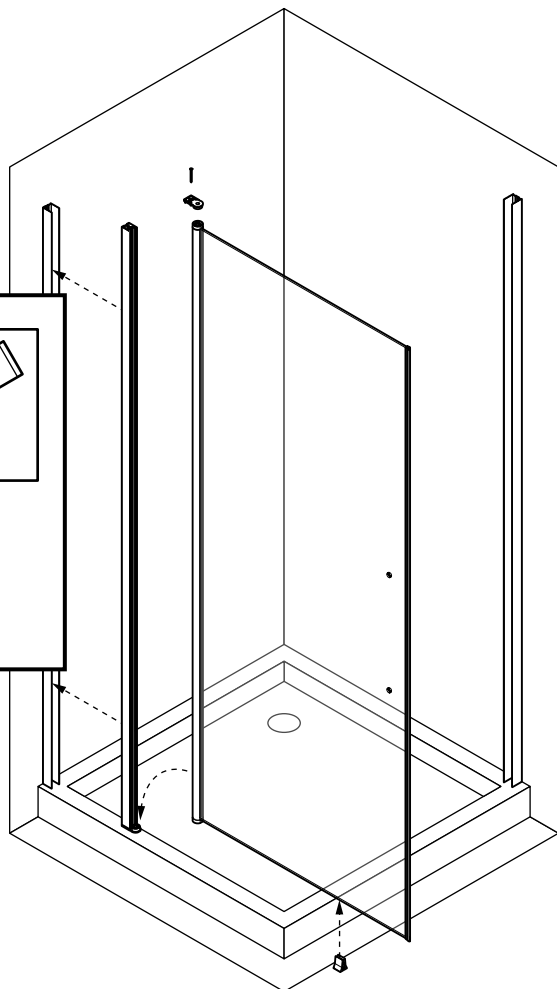
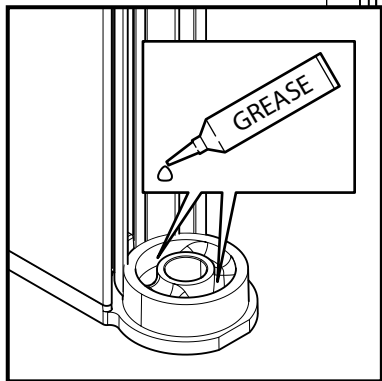
3



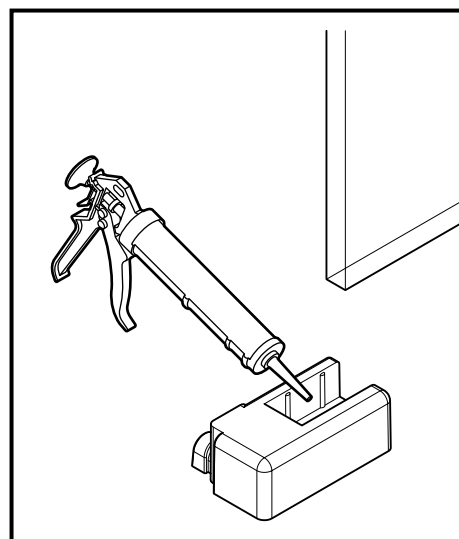
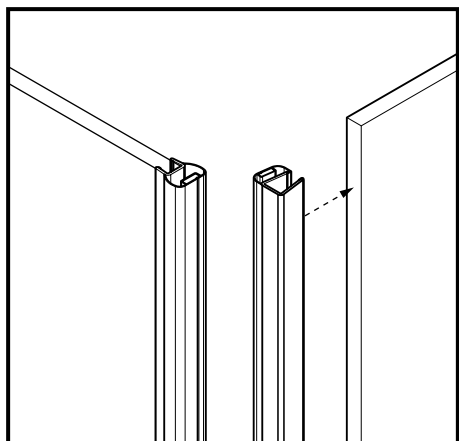
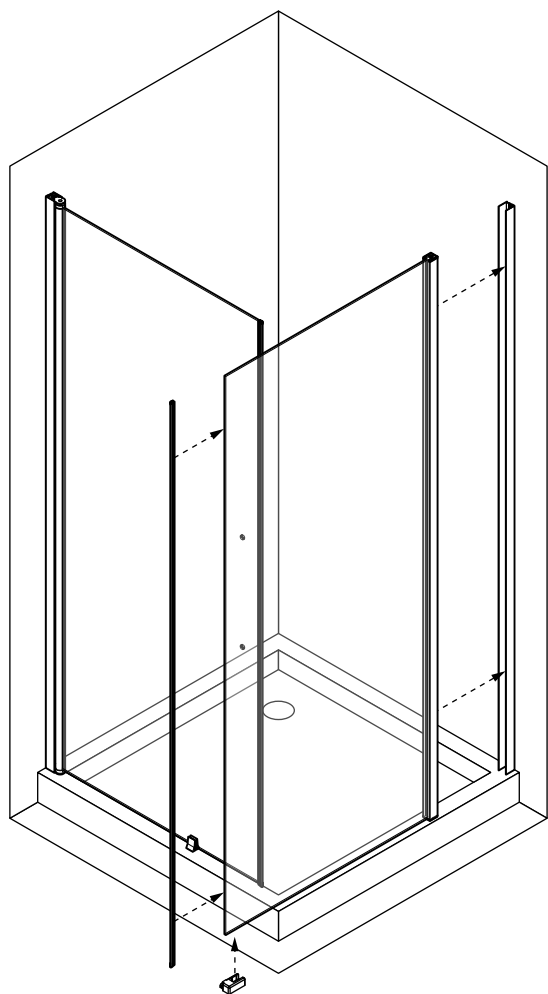
4



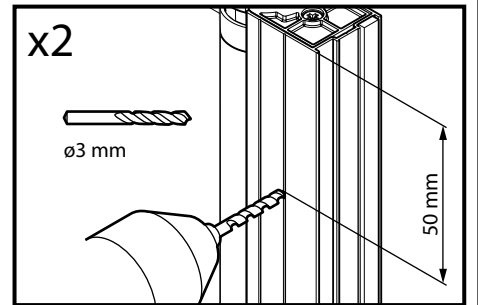
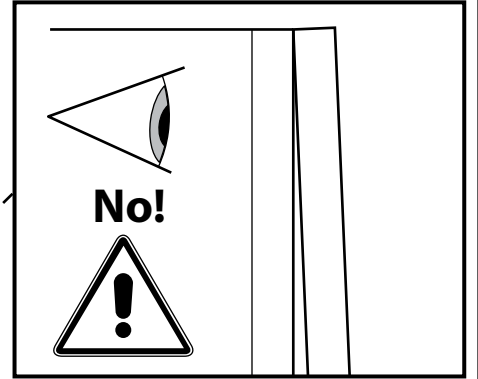
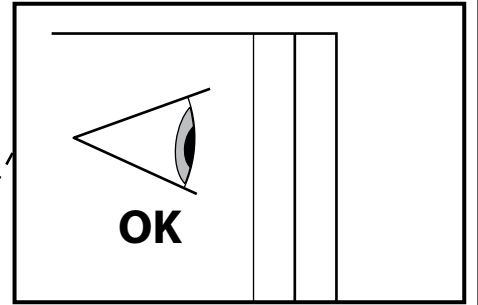
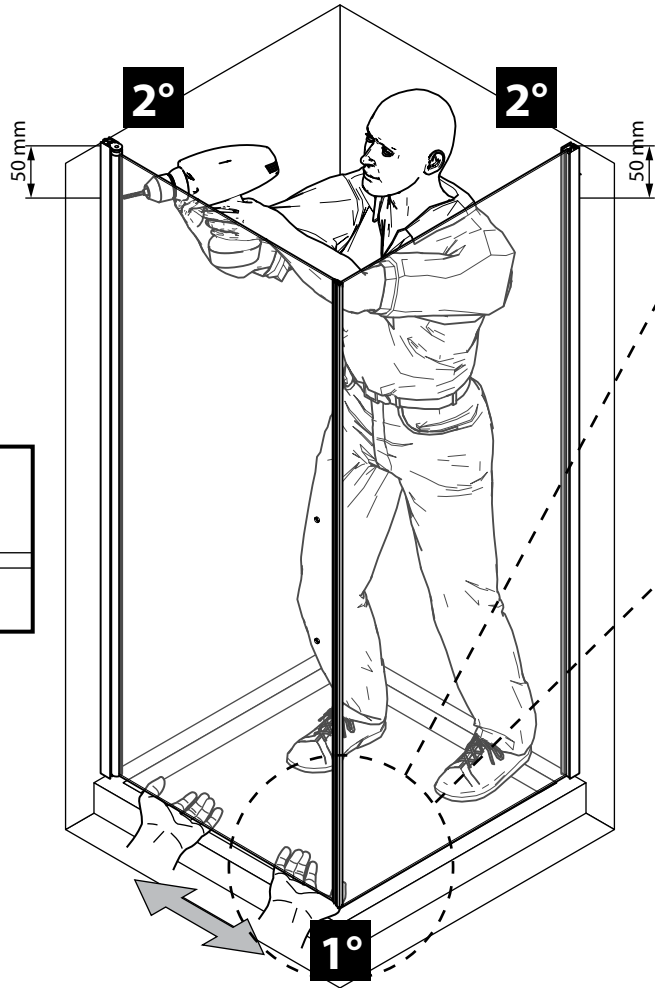
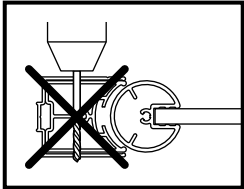
5



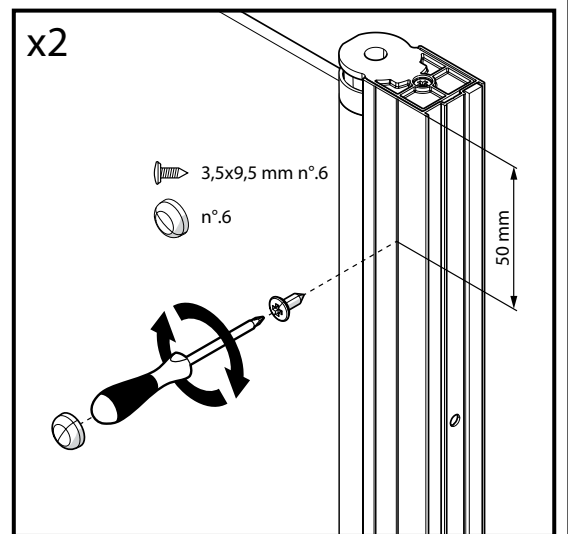
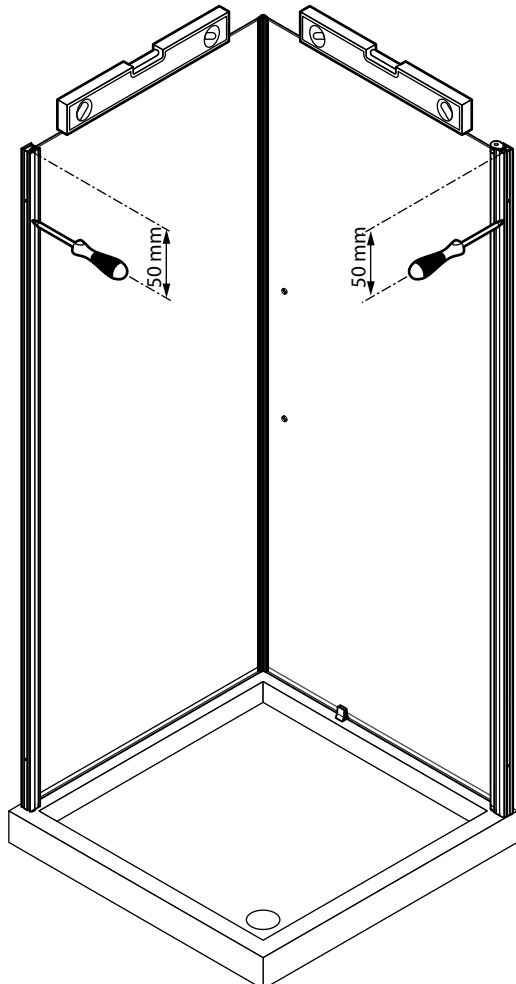
6



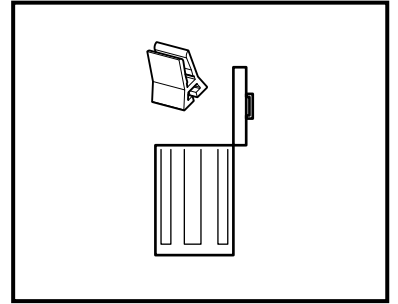
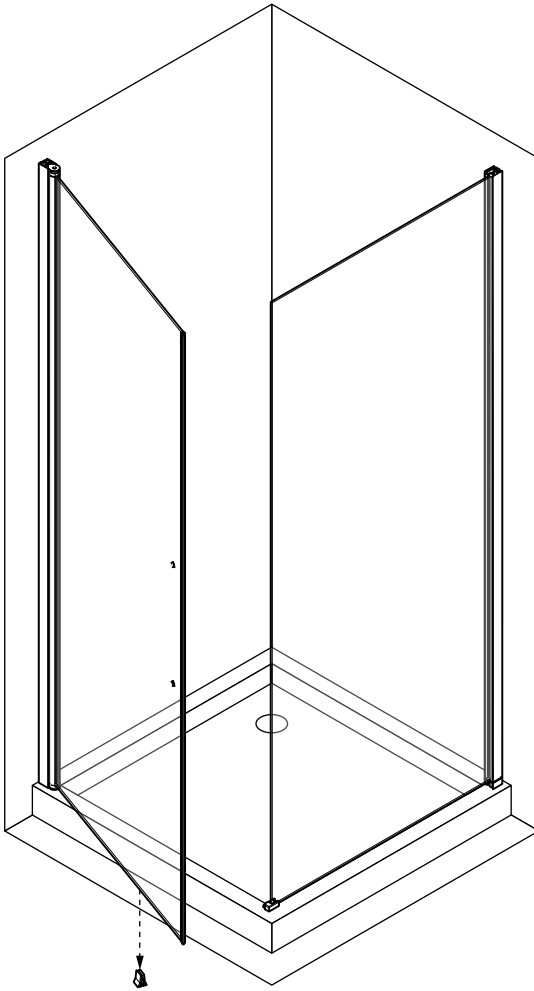
7



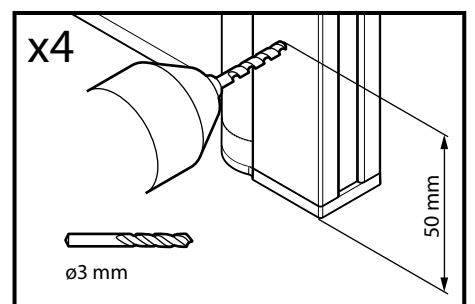
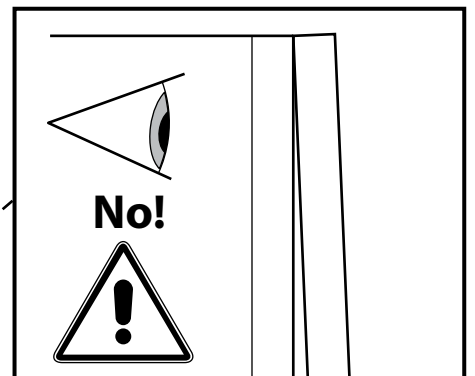
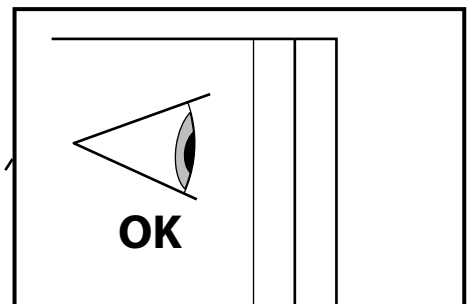
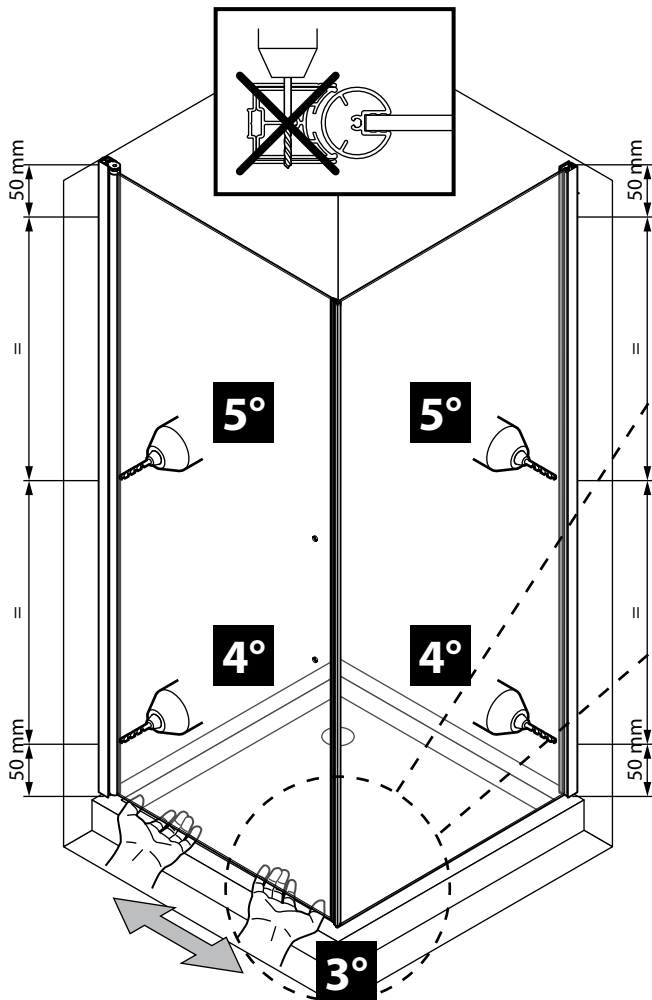
8



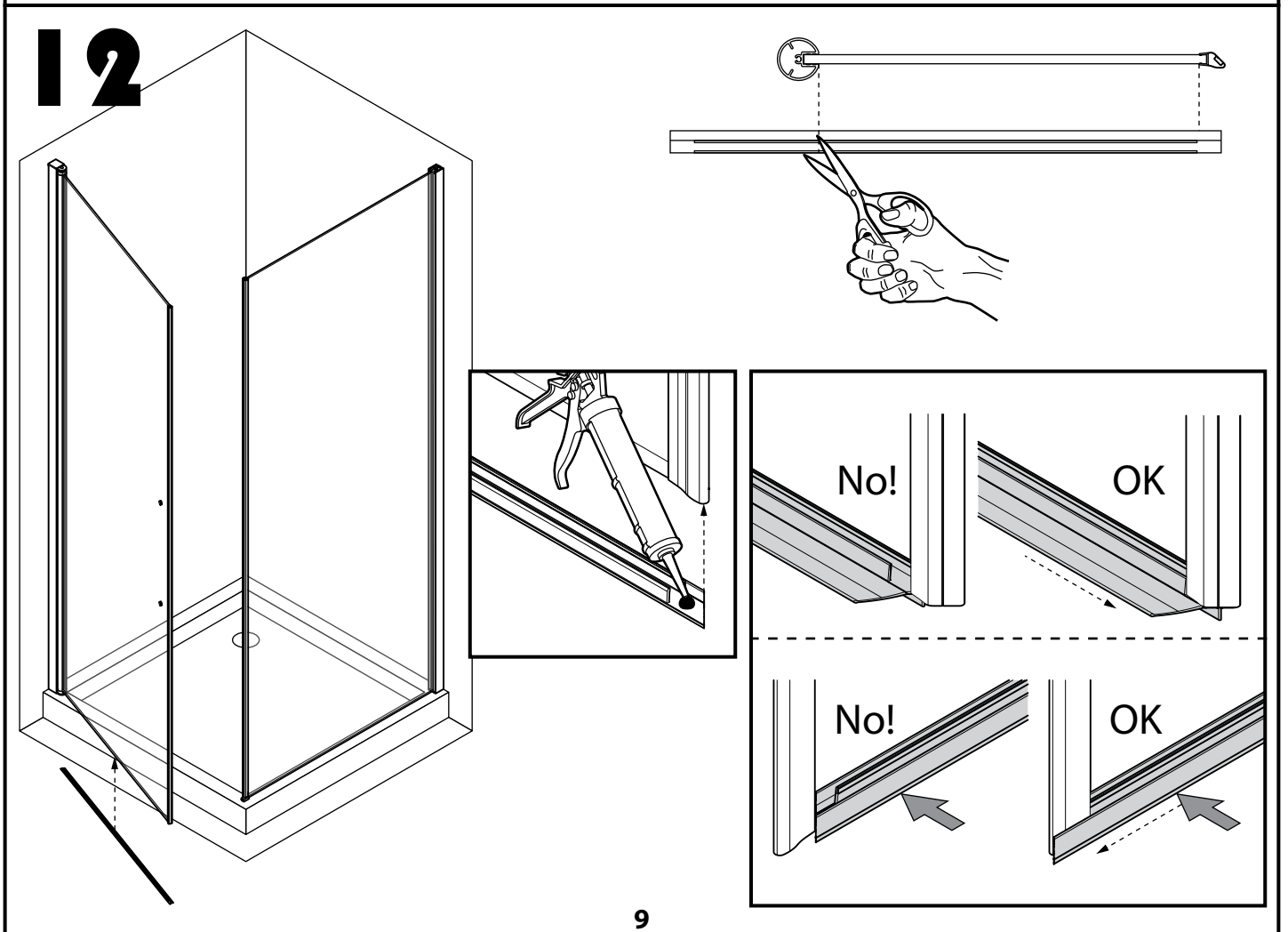
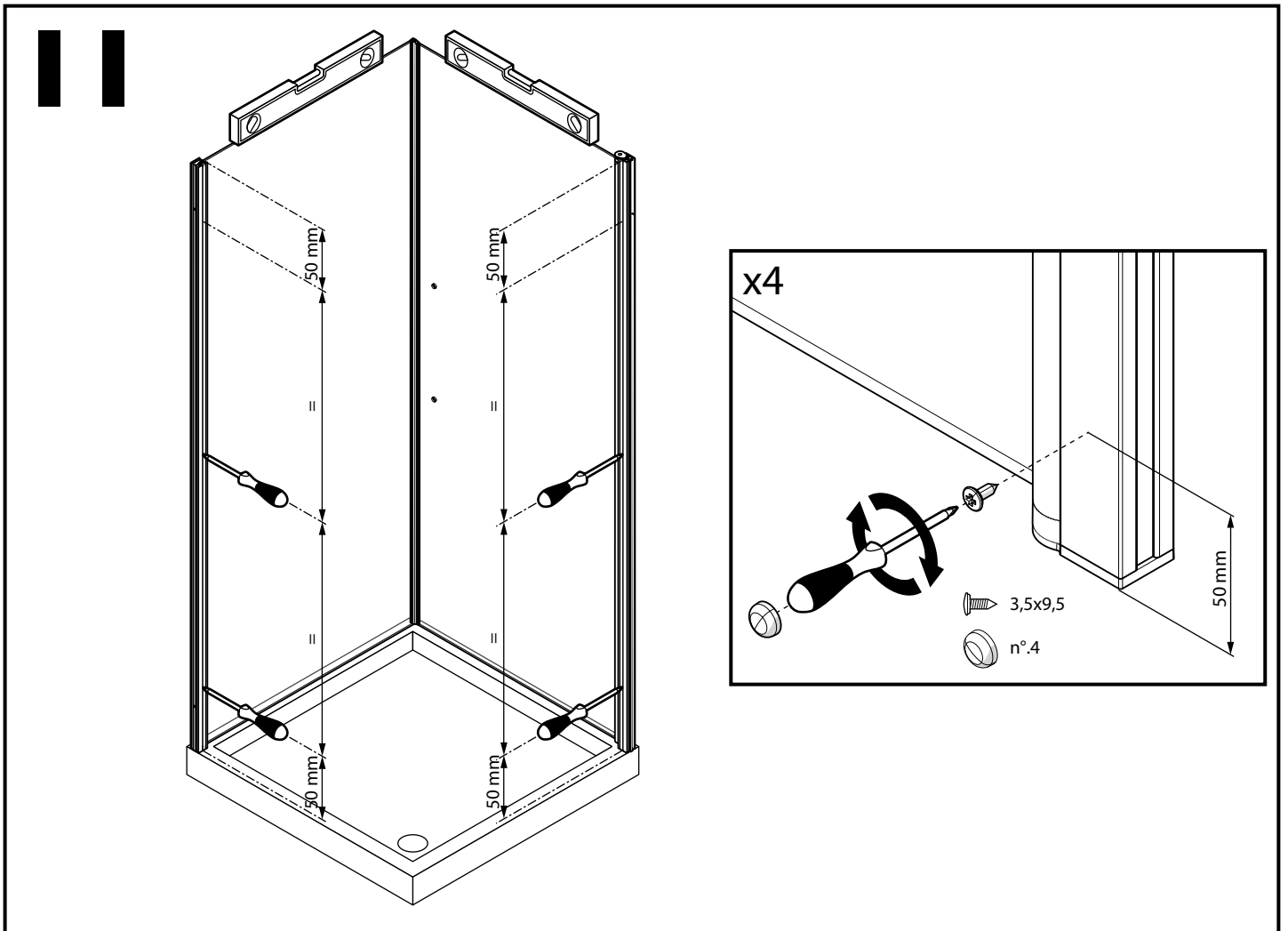
9



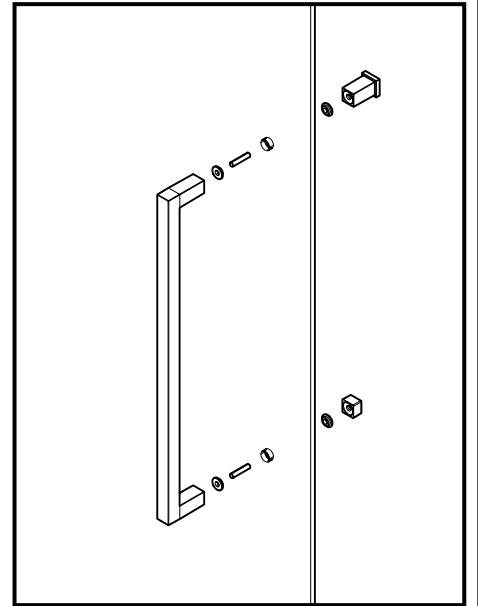
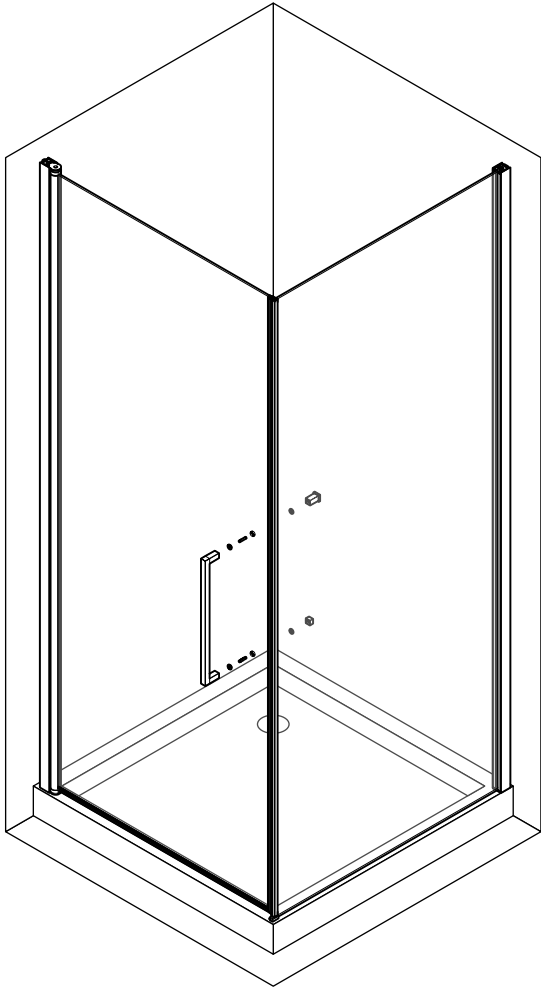
10



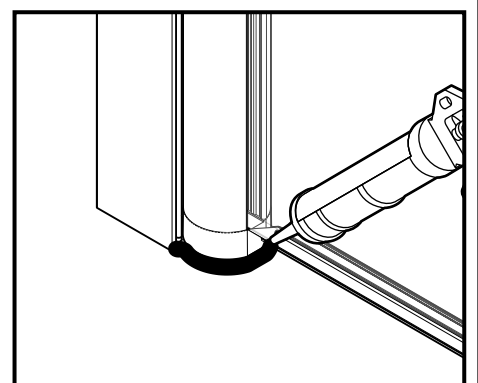
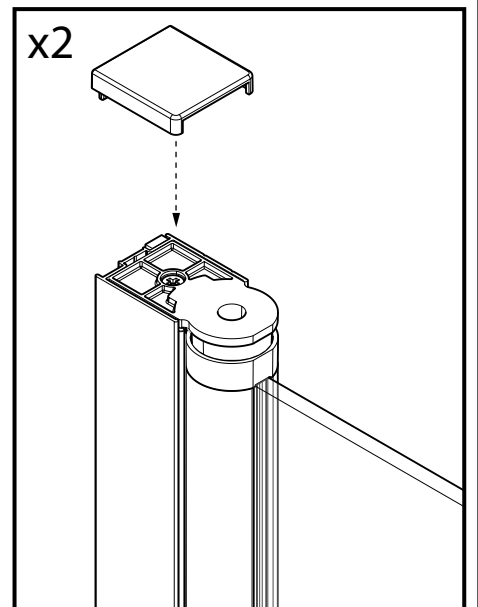
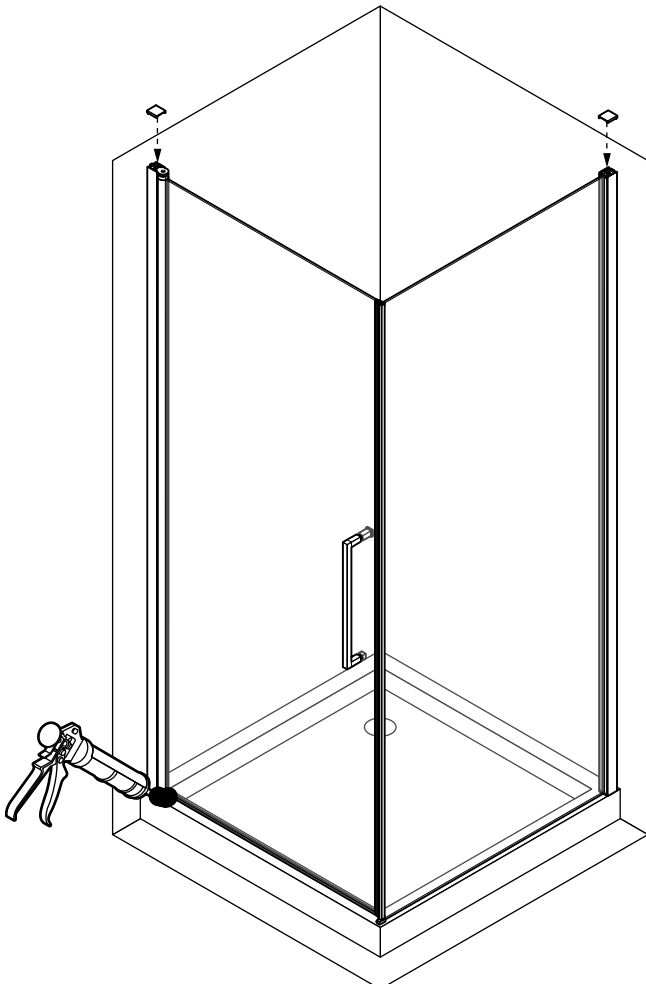
8



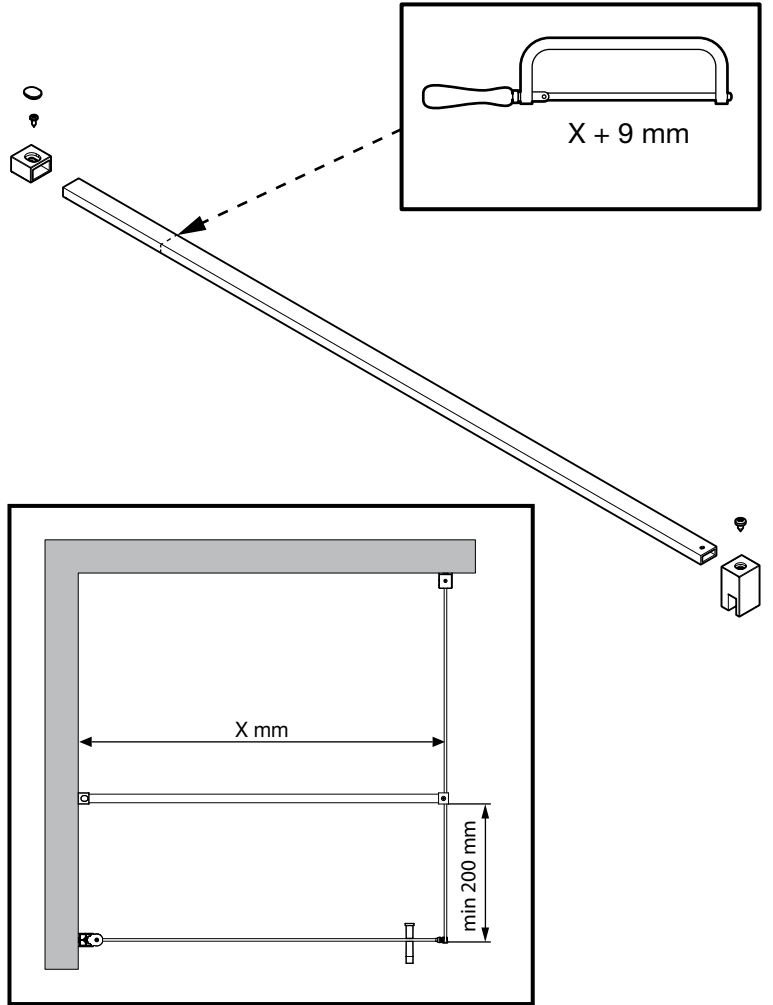
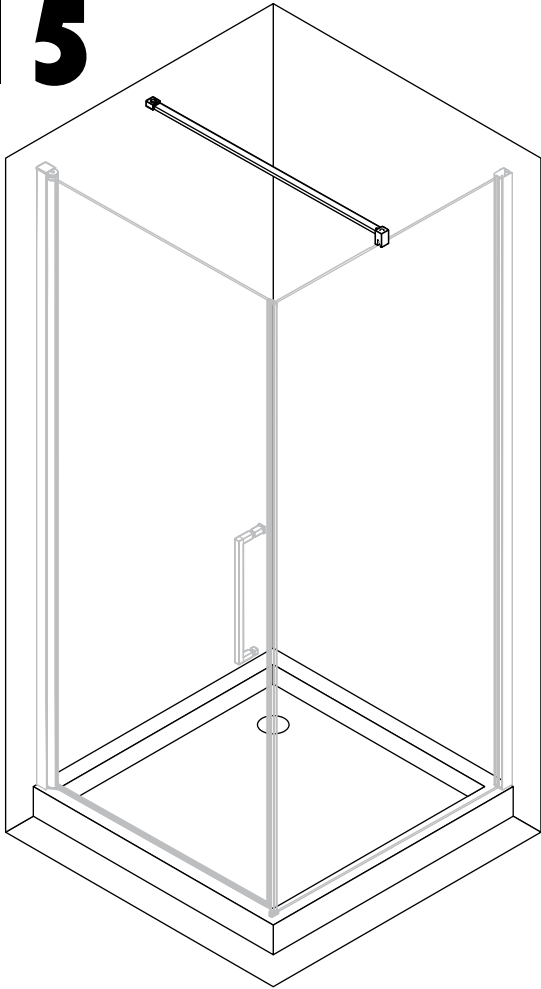
13



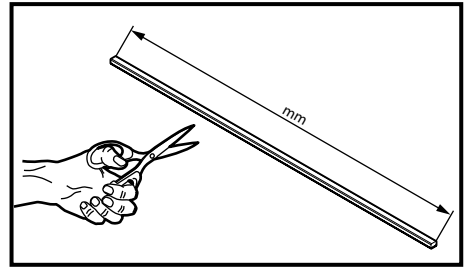
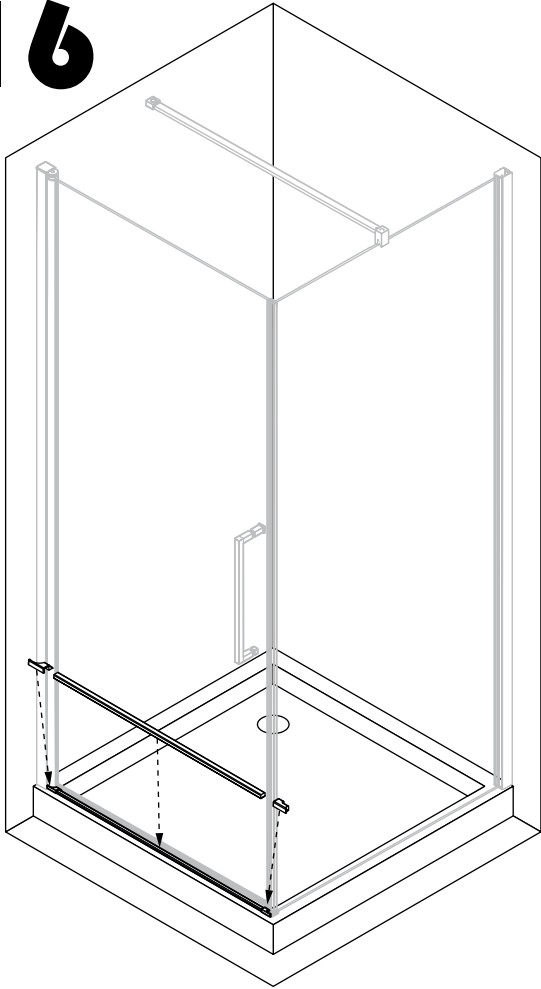
14



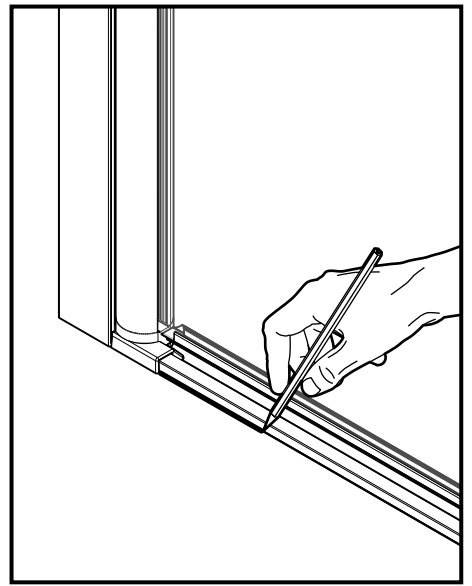
15



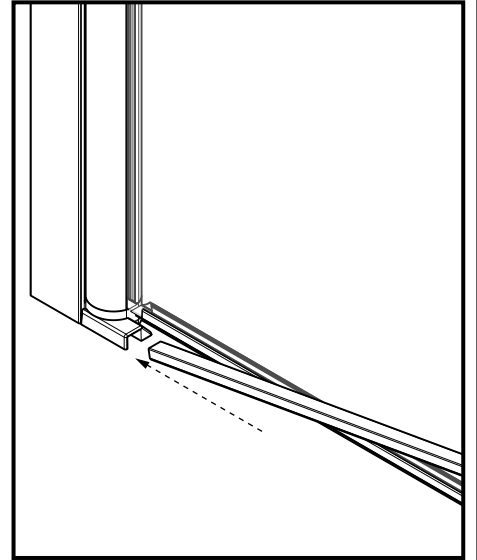
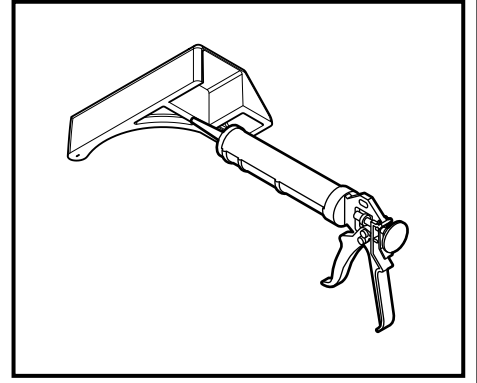
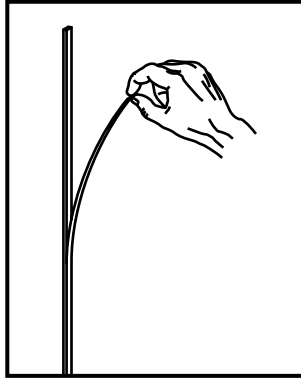
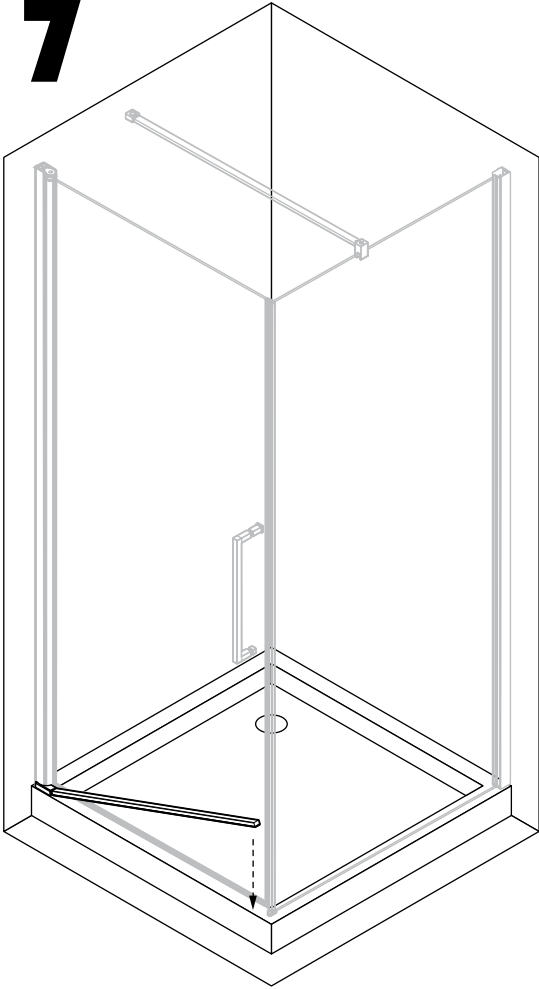
16



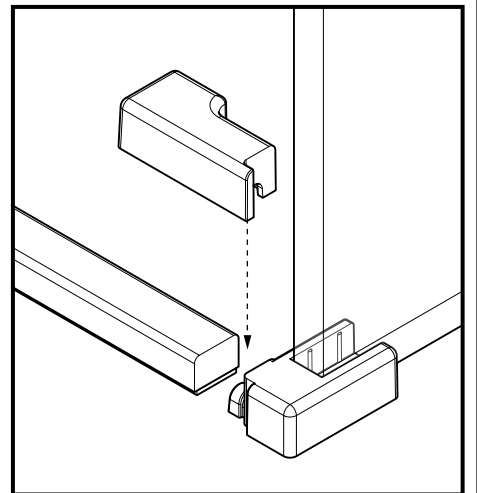
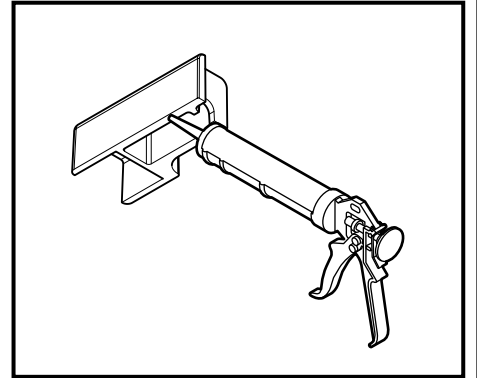
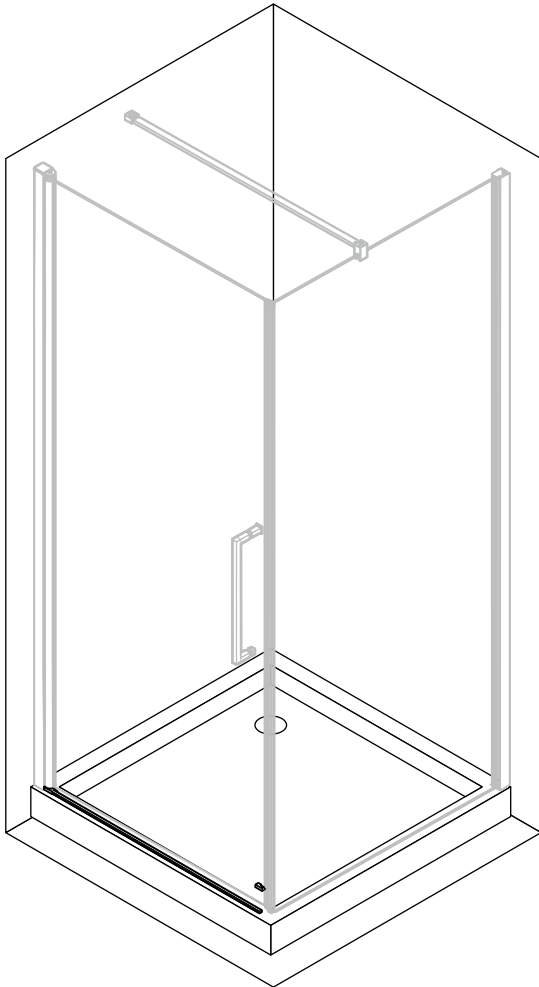
mod. G+F	mm
57-59	472
59-61	492
61-63	512
65-67	552
67-69	572
69-71	592
72-74	622
74-76	642
77-79	672
79-81	692
85-87	752
87-89	772
89-91	792
95-97	852
97-99	872
99-101	892



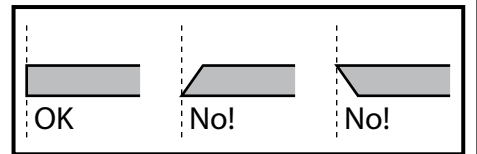
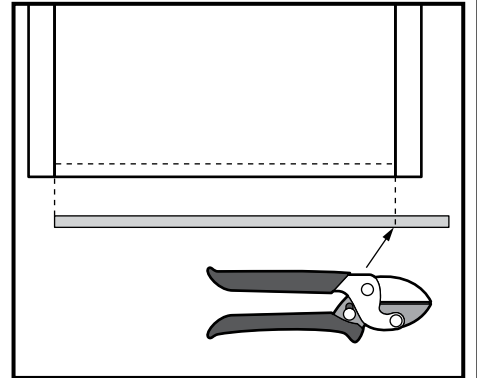
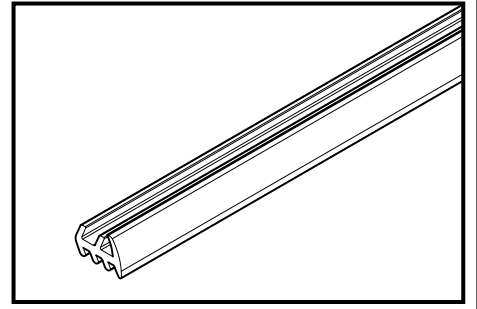
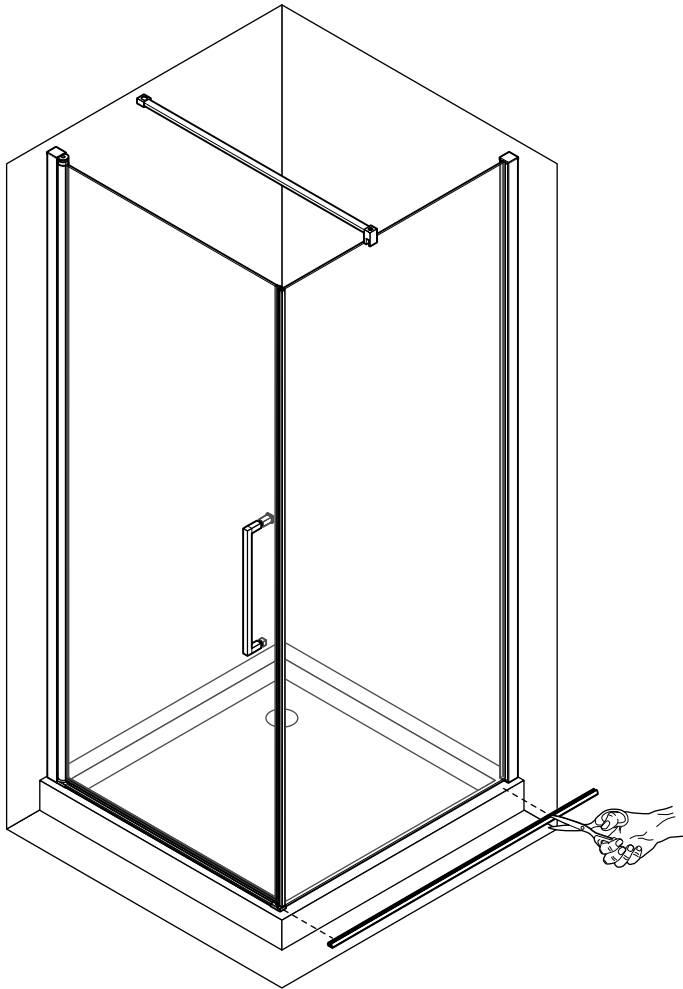
17



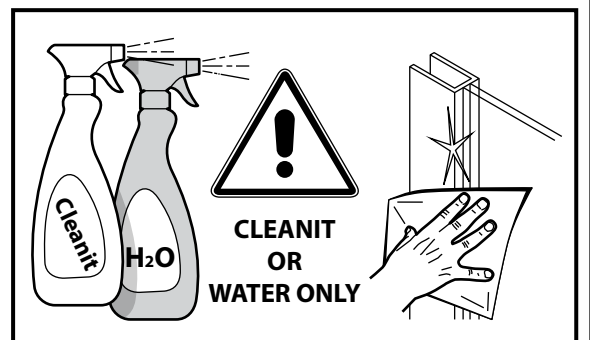
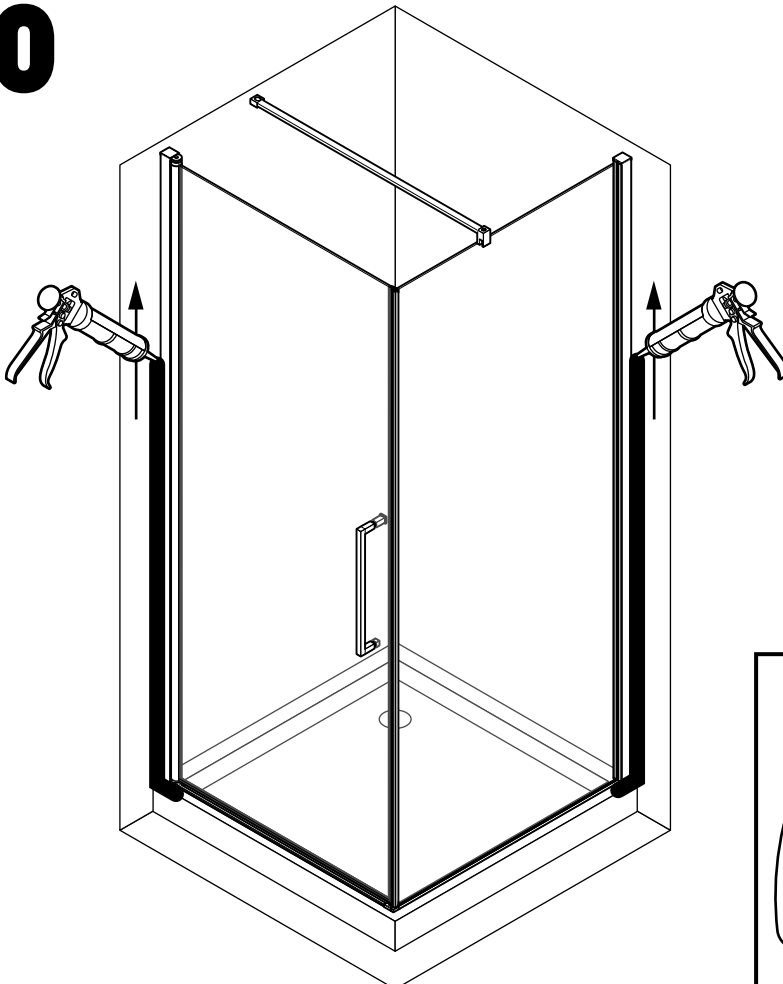
18

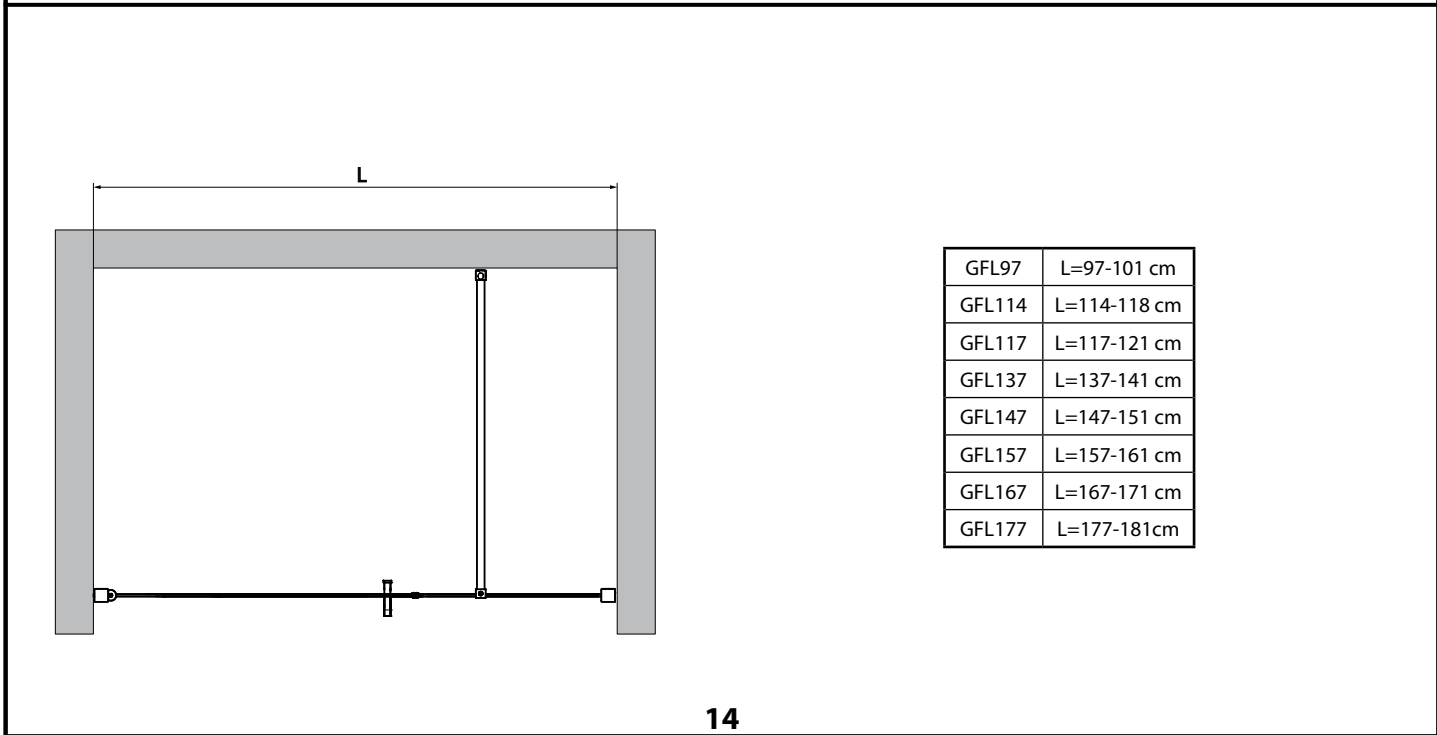
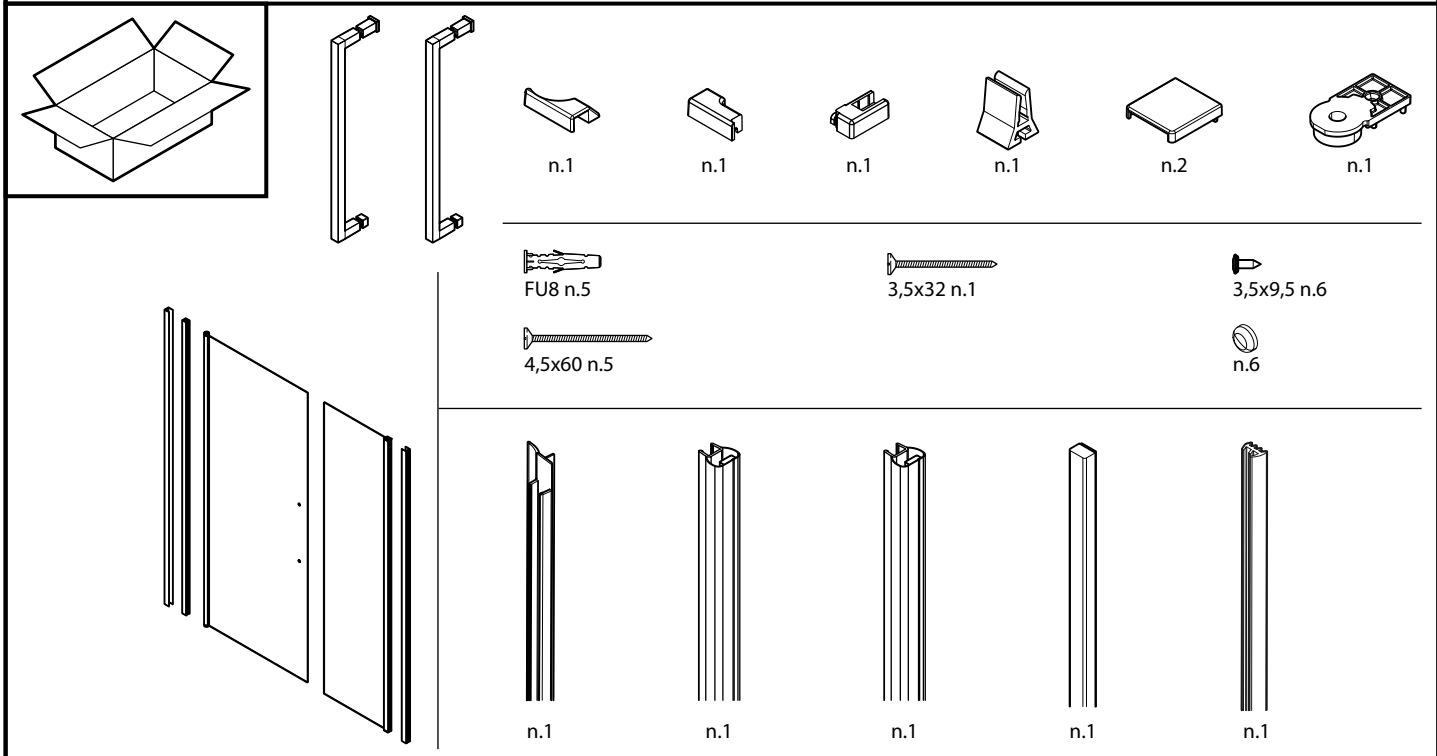
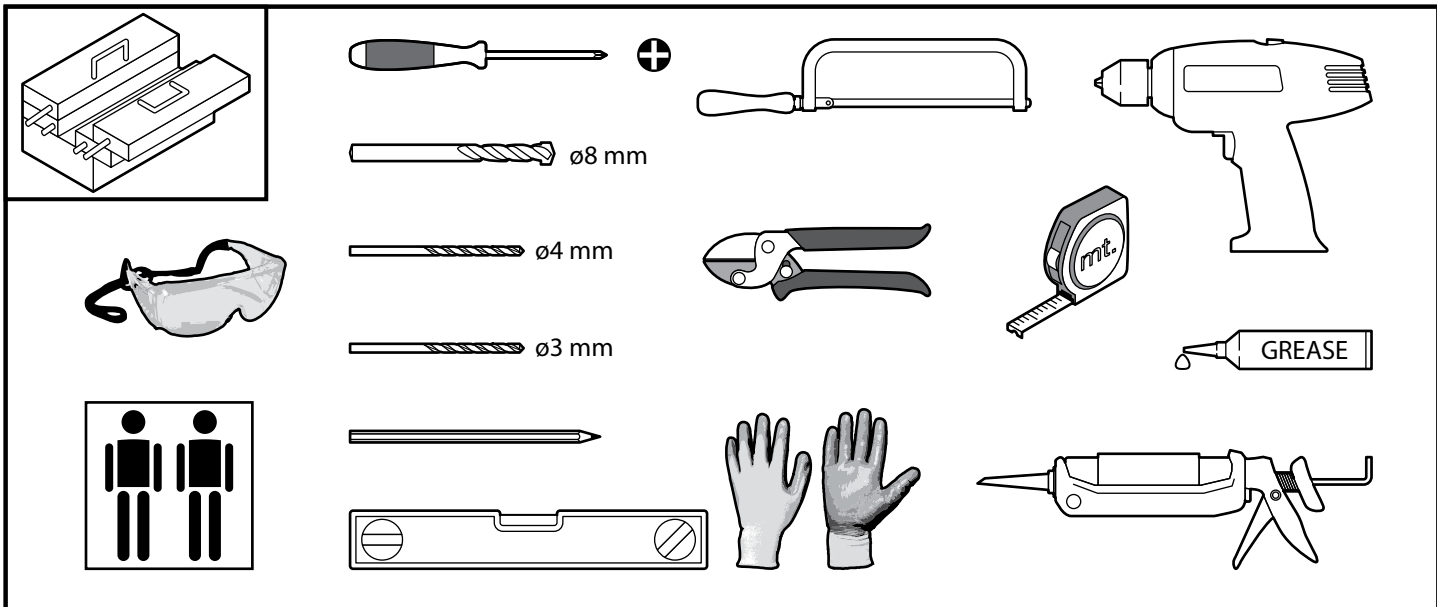


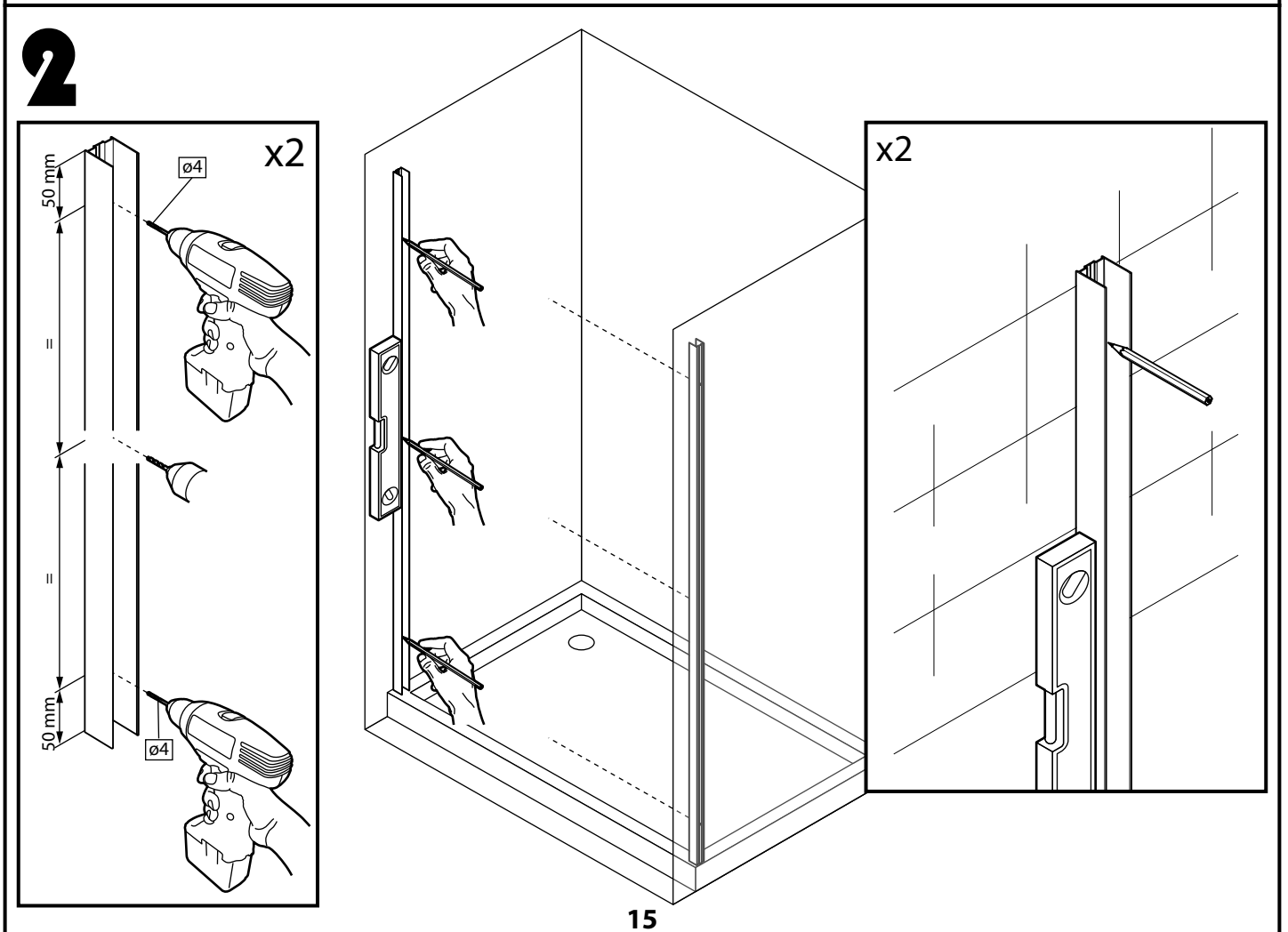
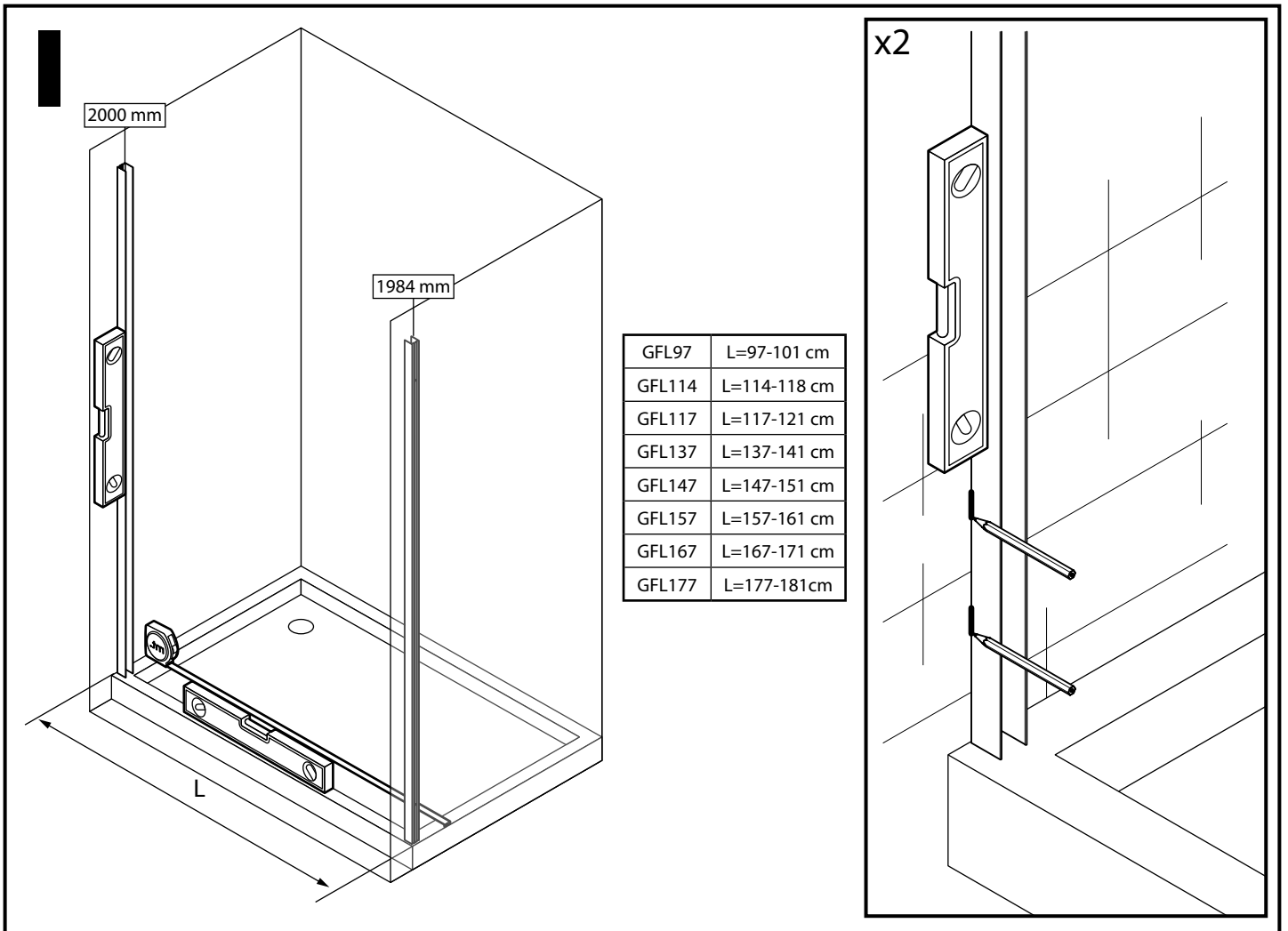
19



20







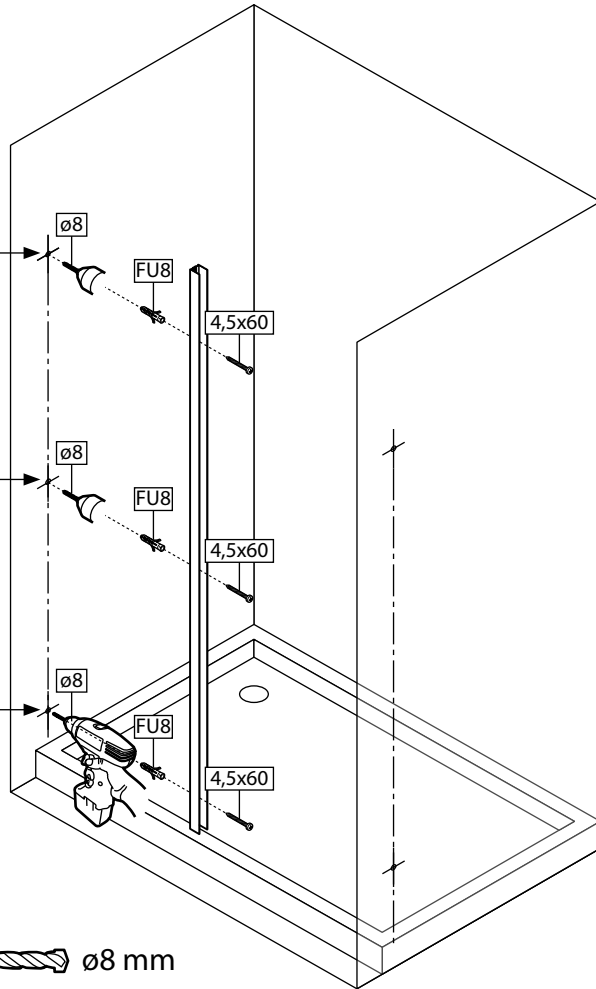
3

2°

3°

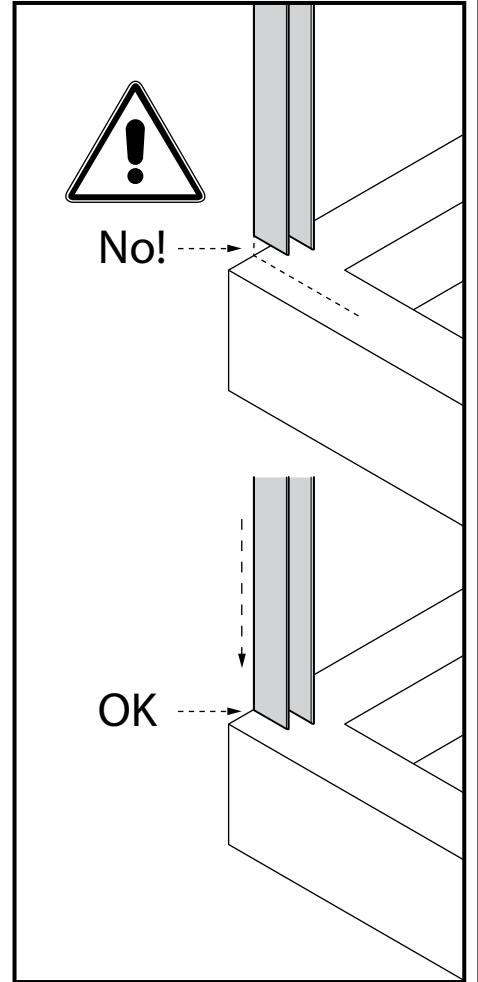
1°

Ø8 mm



No!

OK



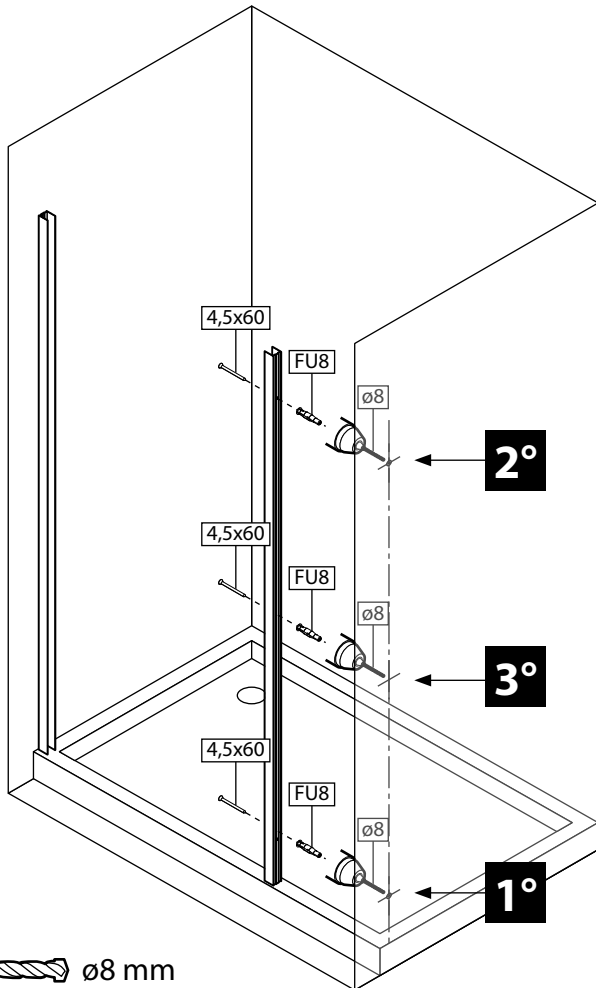
4

2°

3°

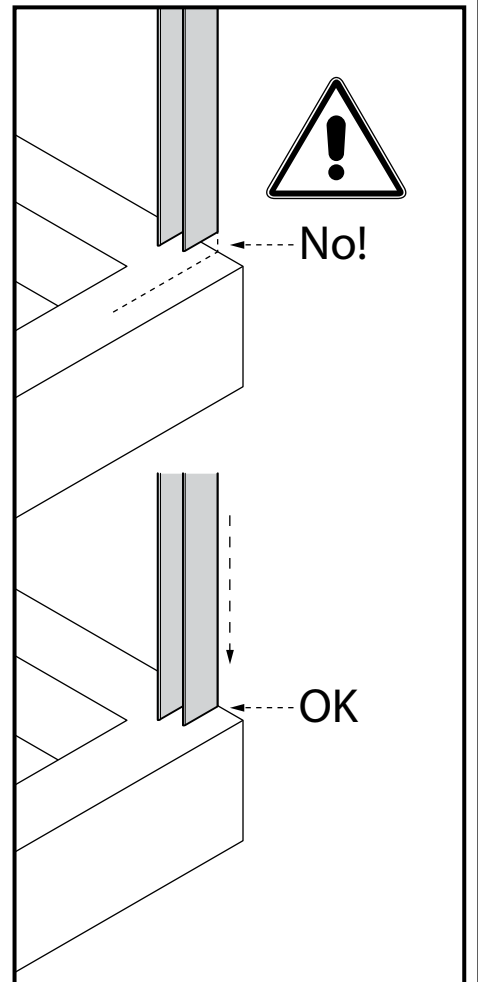
1°

Ø8 mm

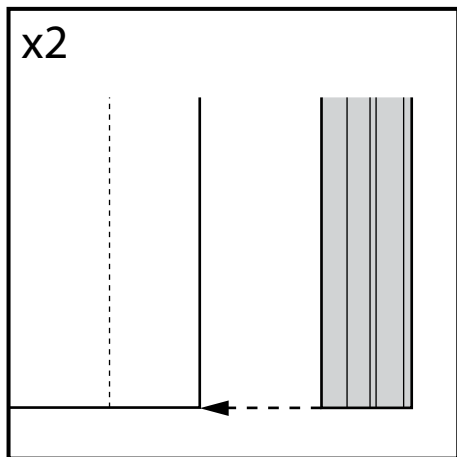
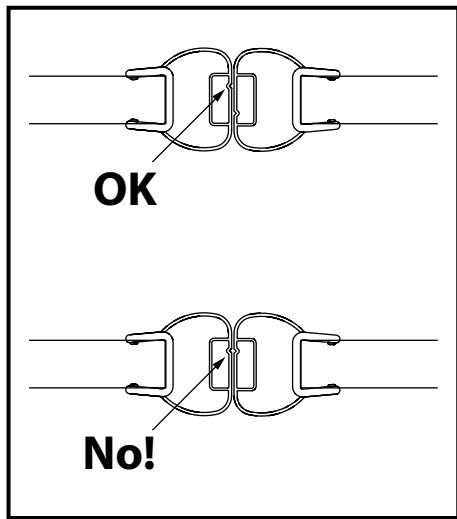
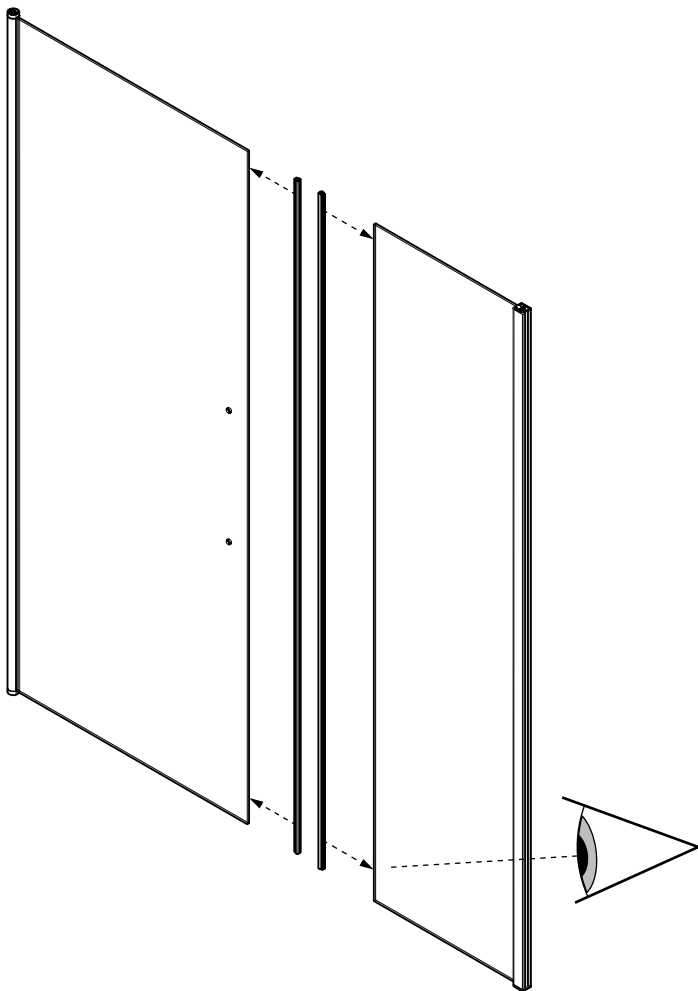


No!

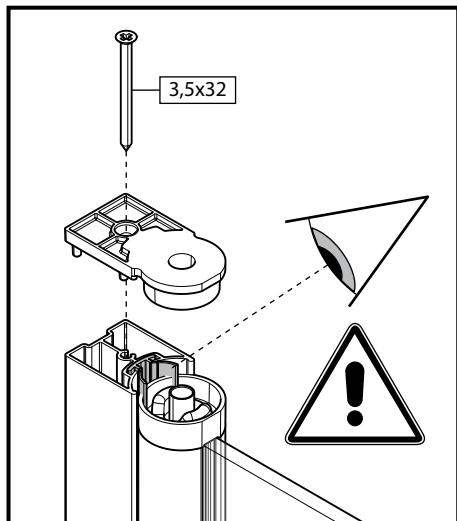
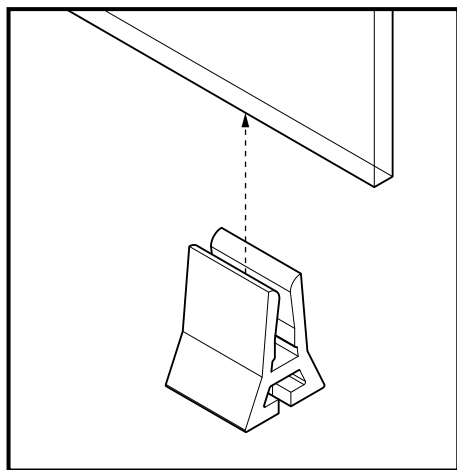
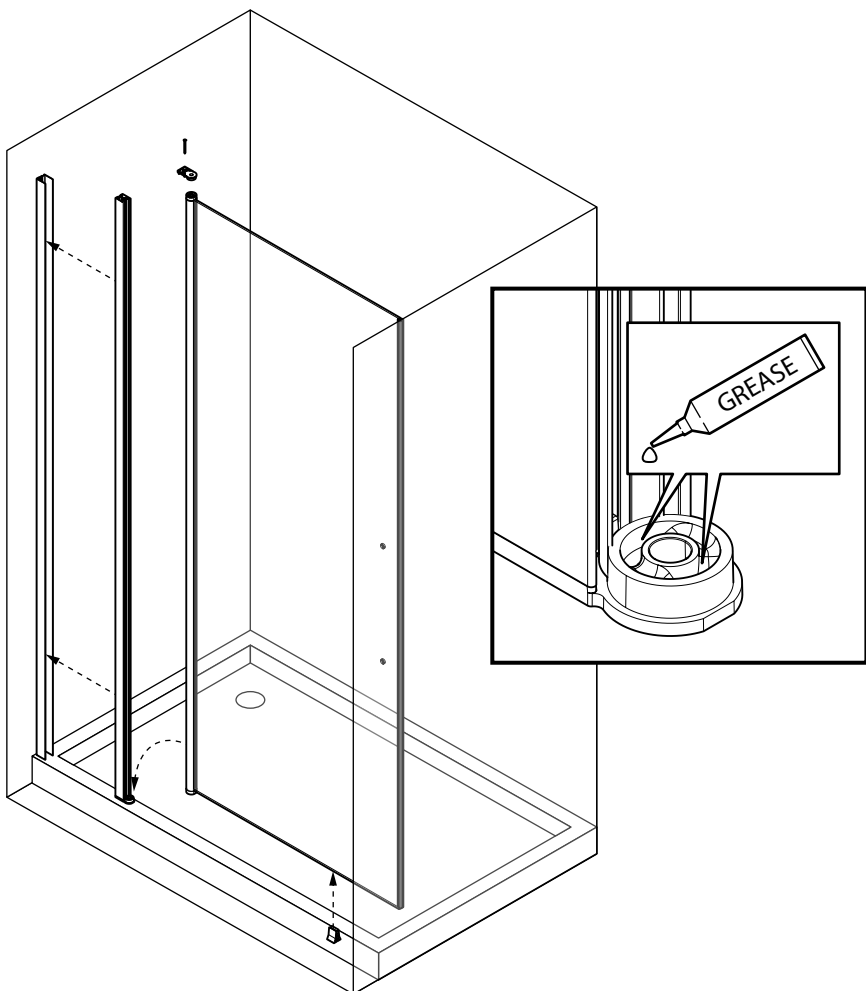
OK



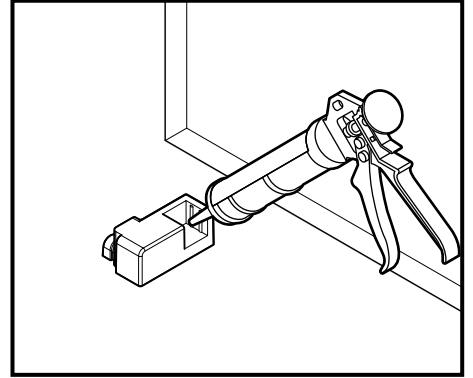
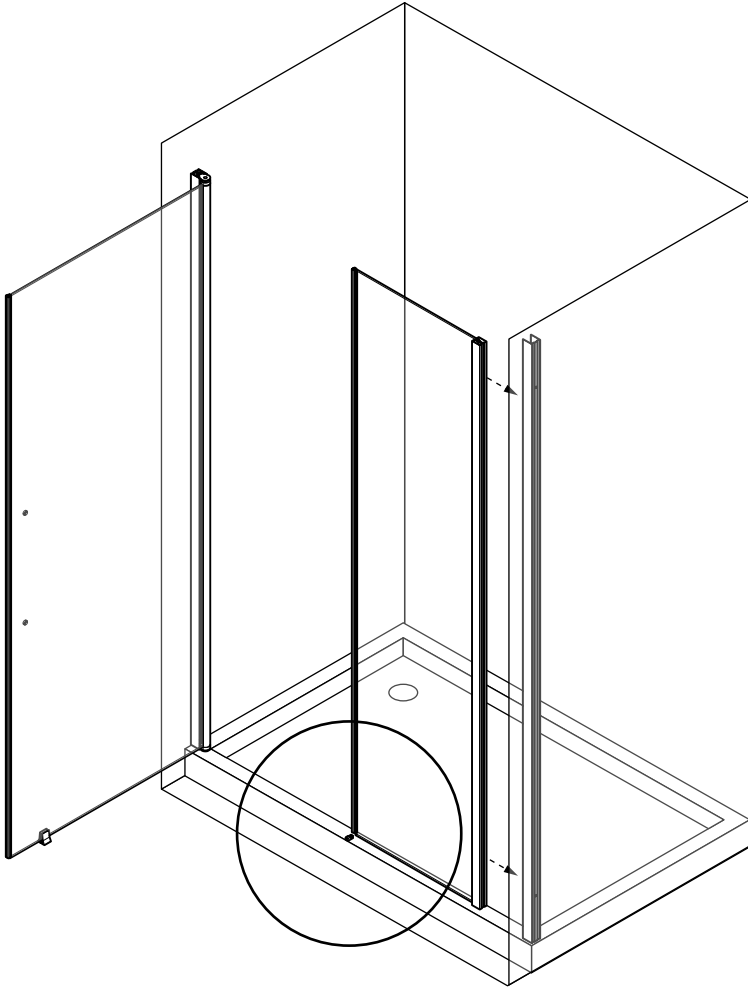
5



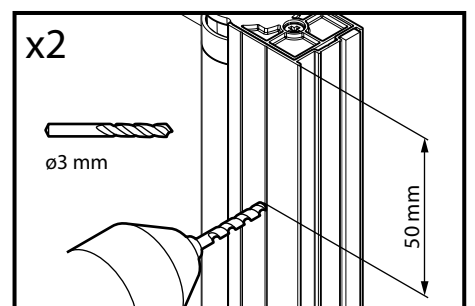
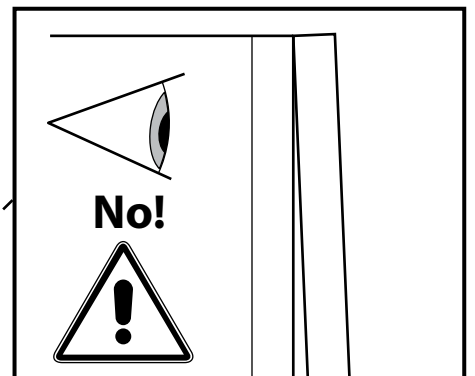
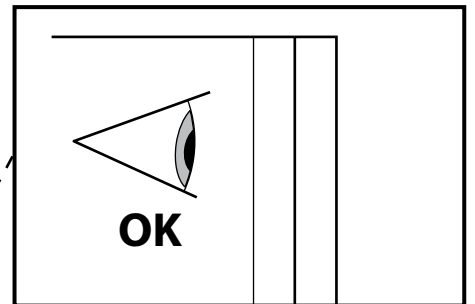
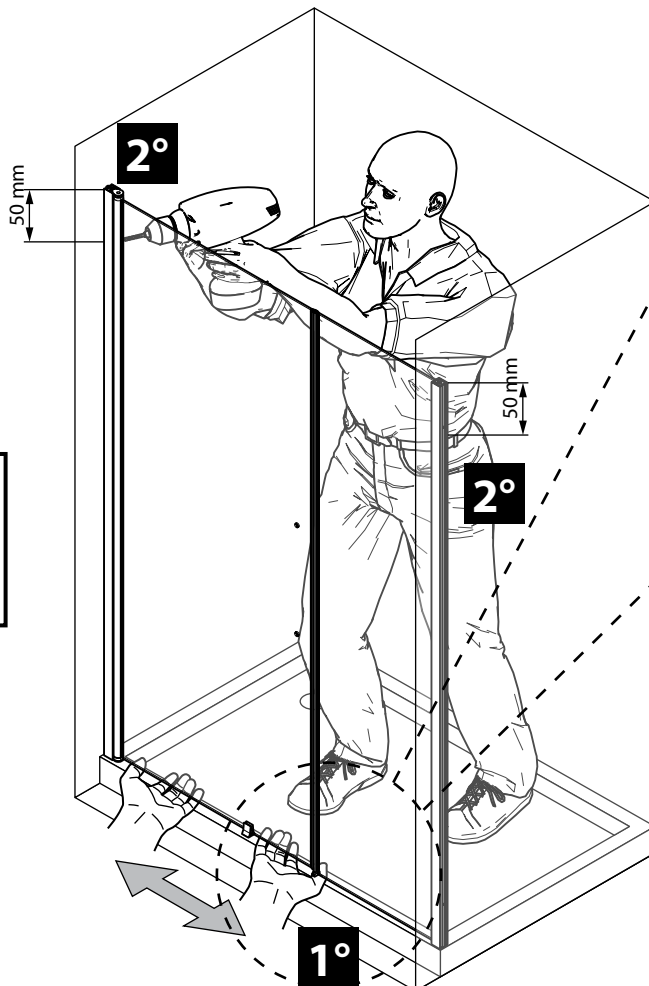
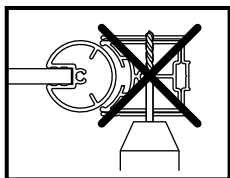
6



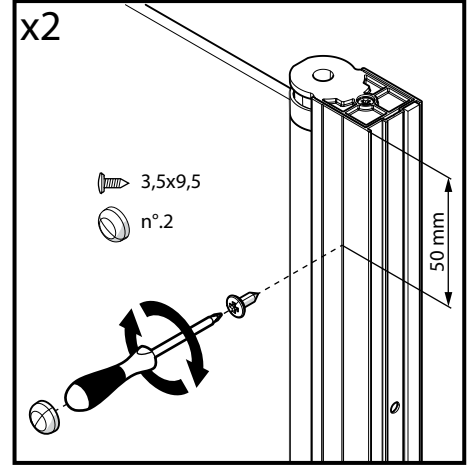
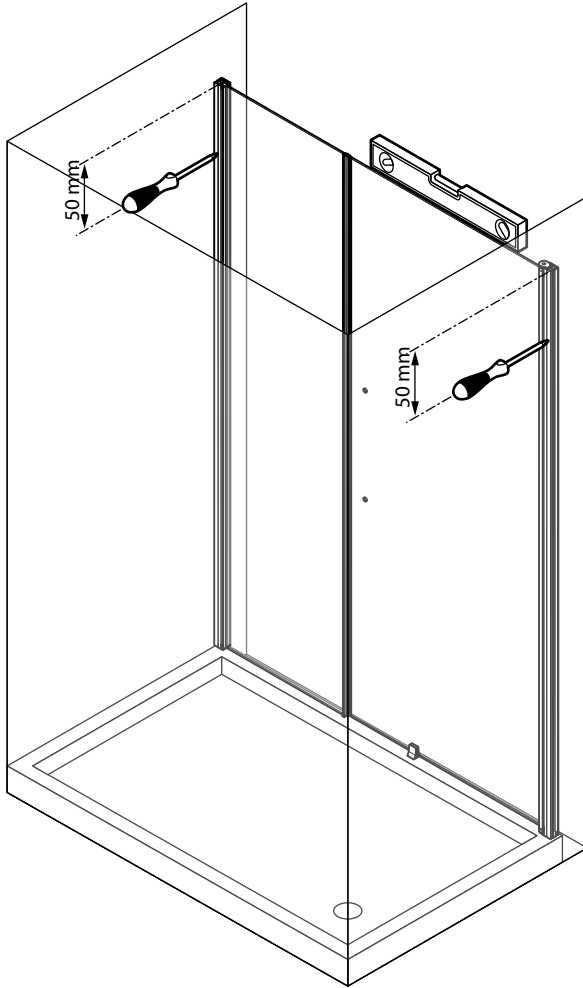
7



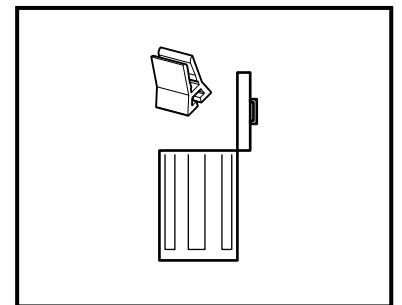
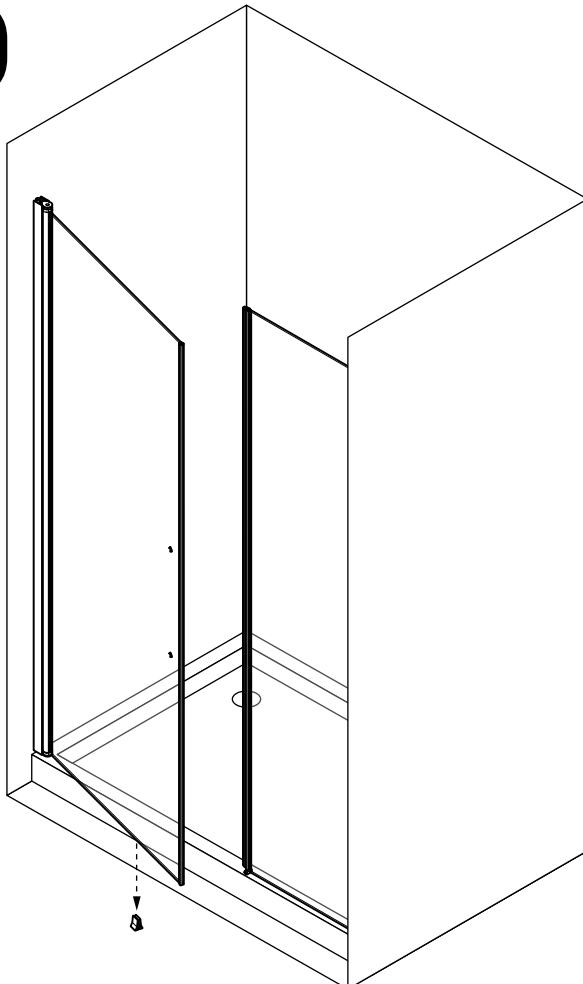
8

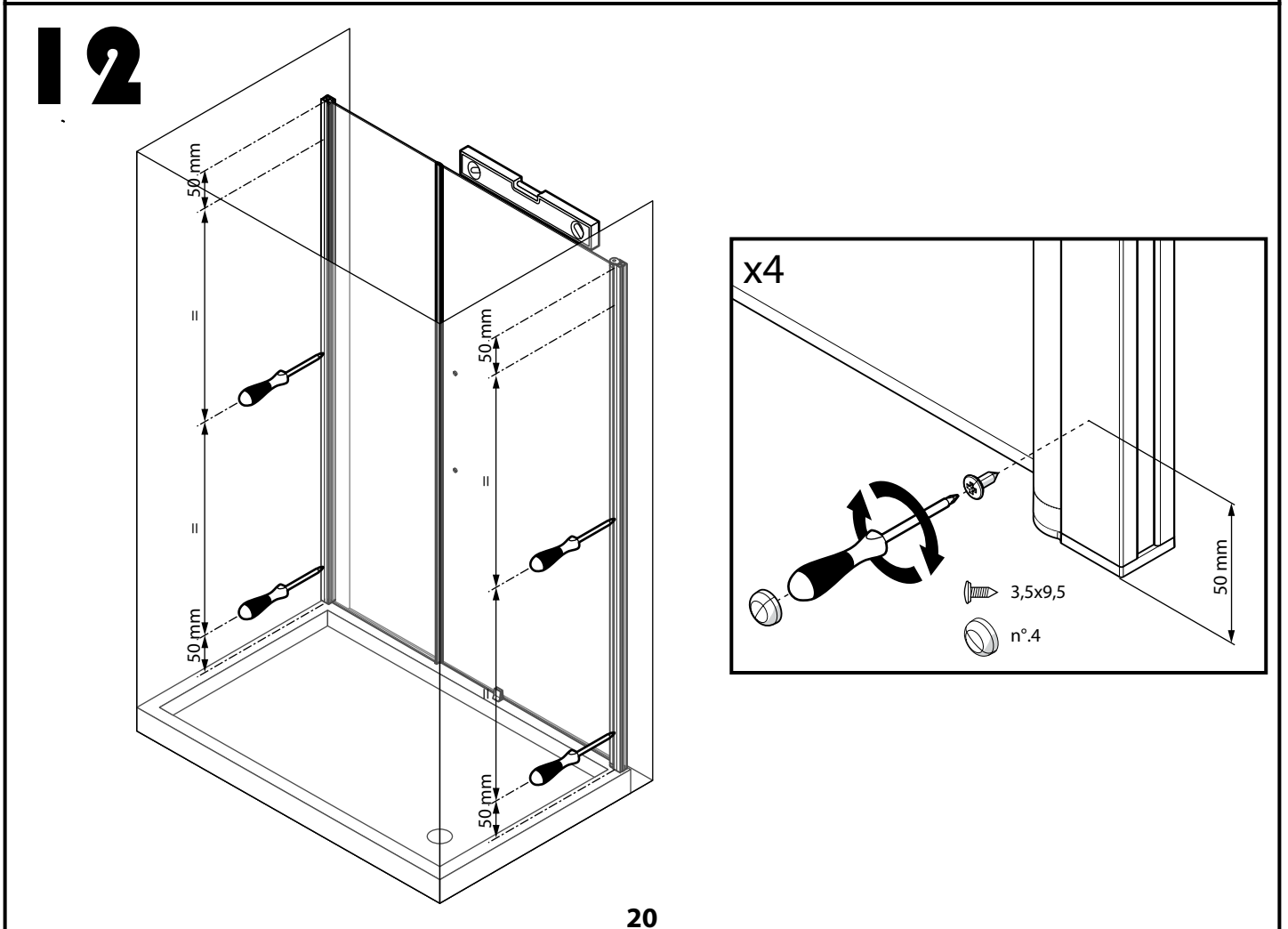
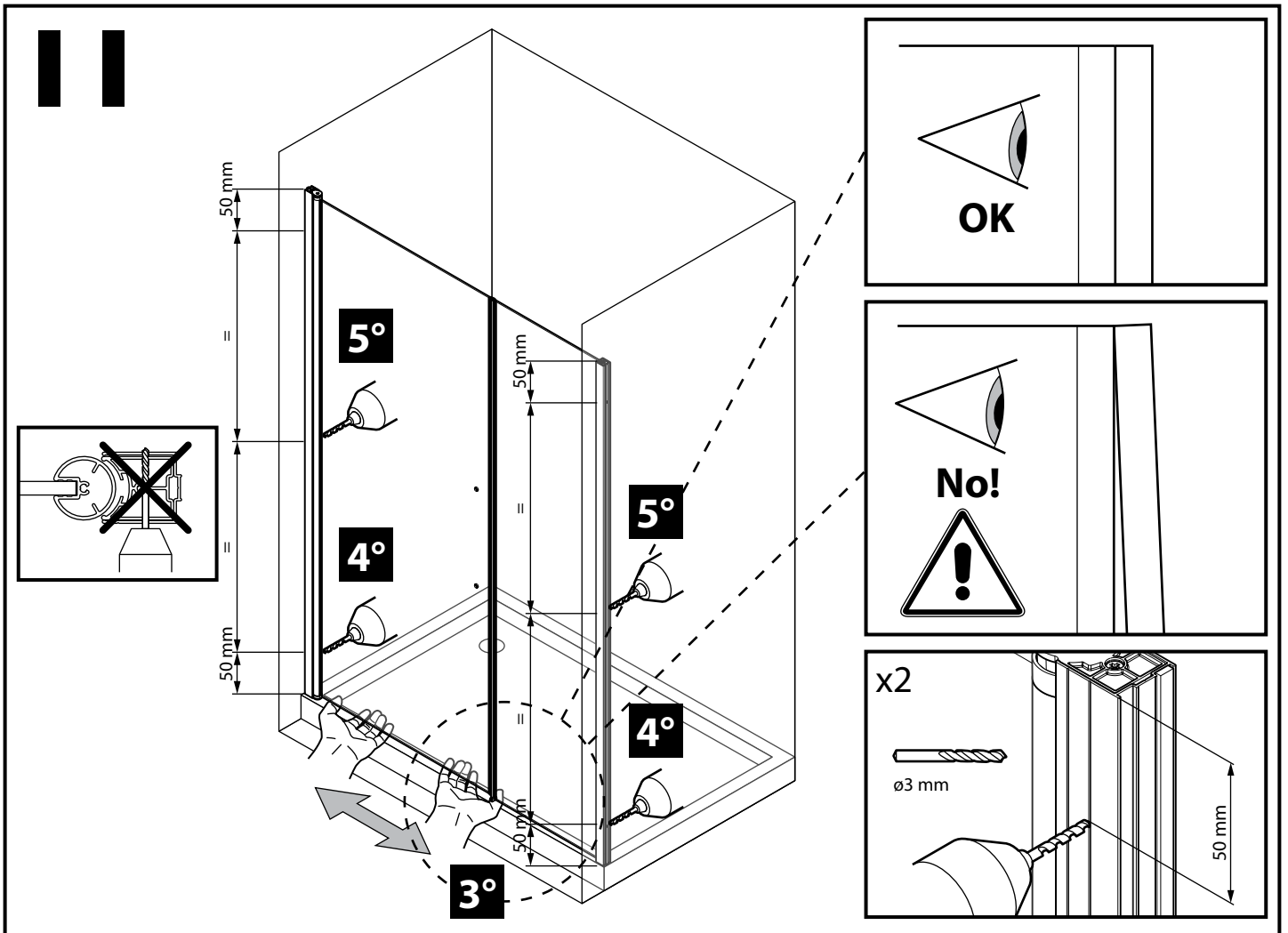


9

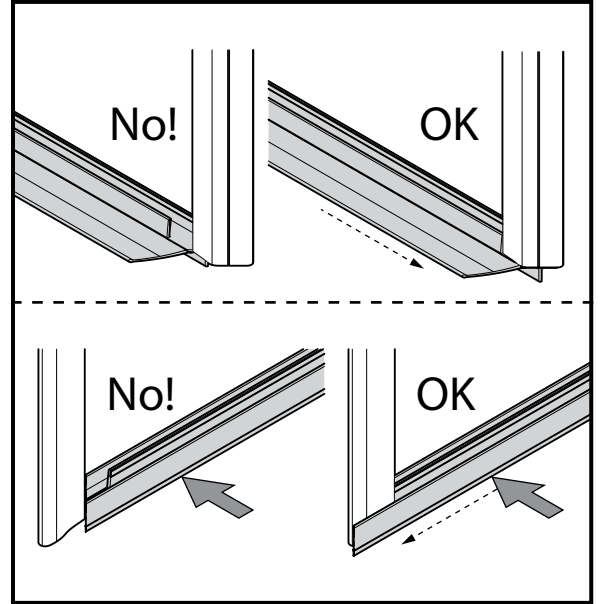
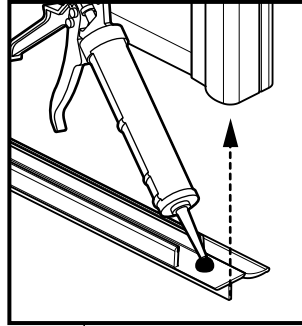
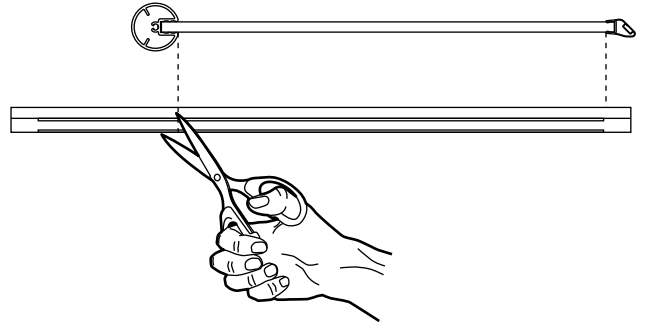
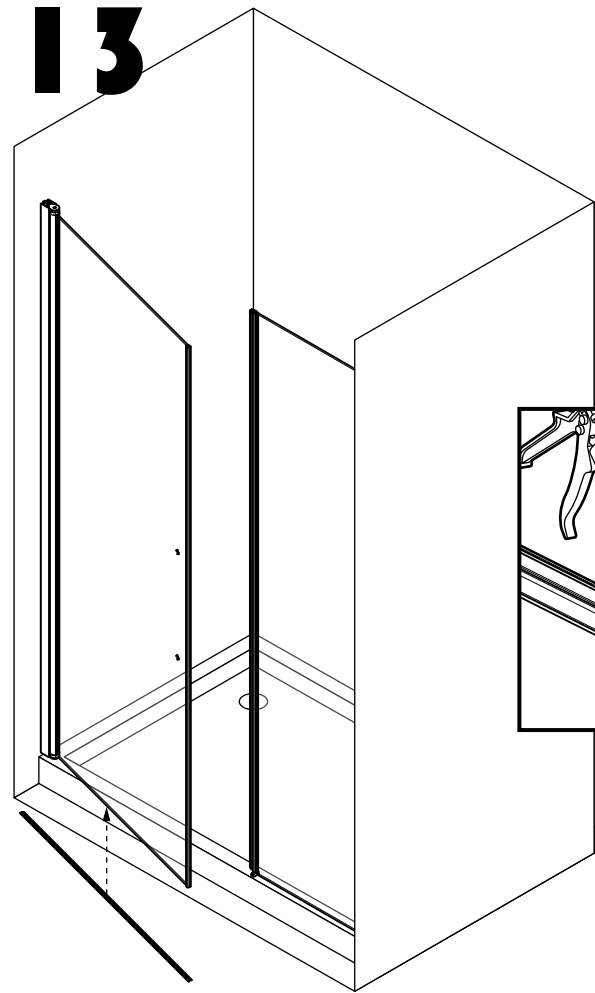


10

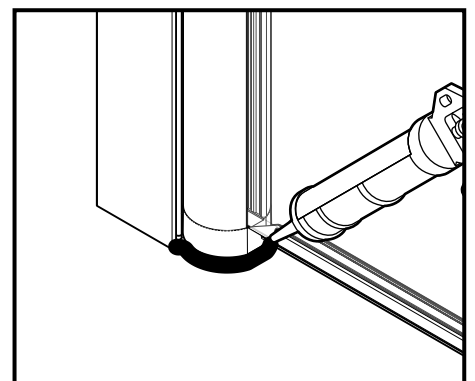
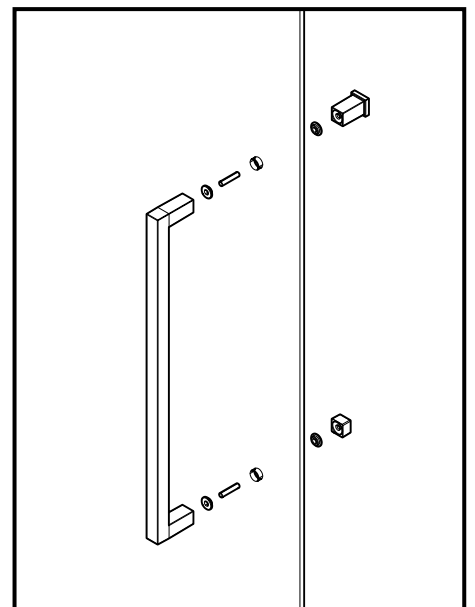
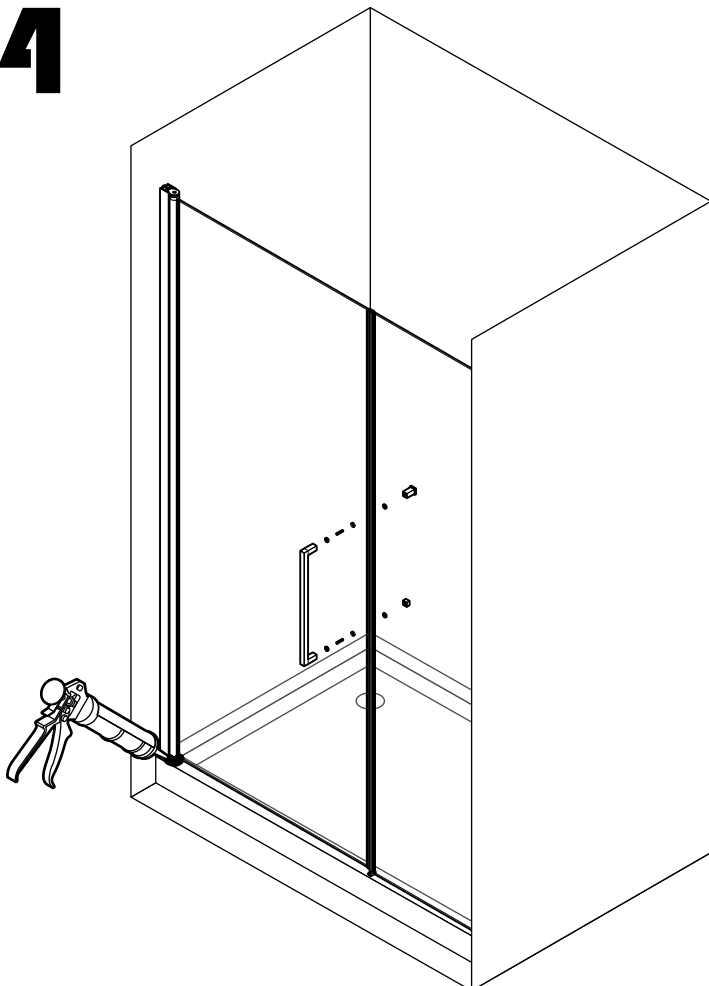




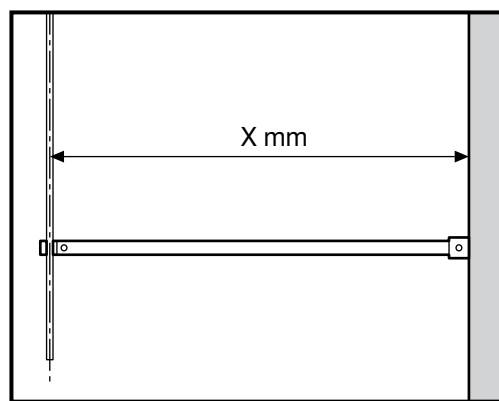
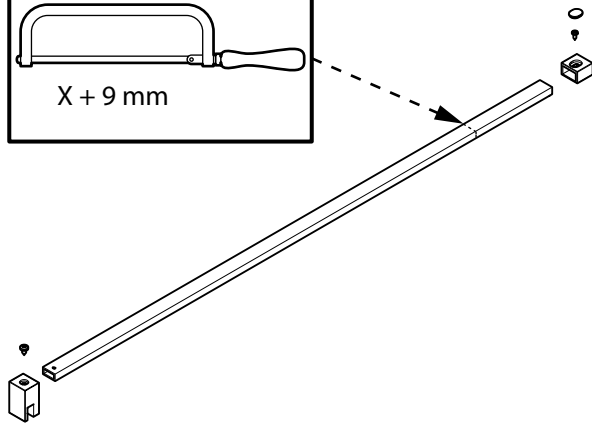
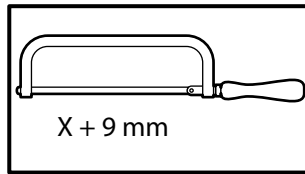
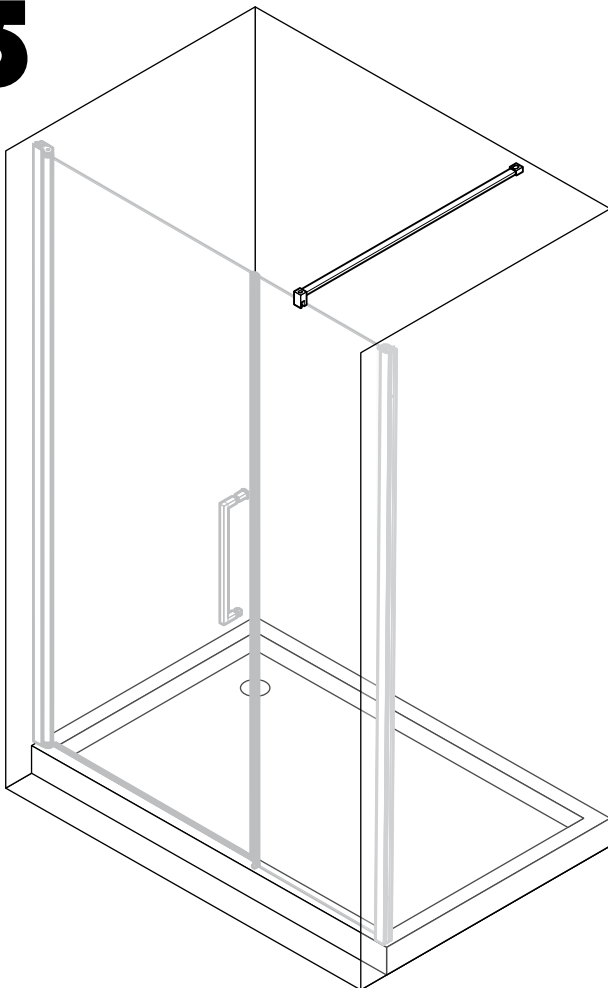
13



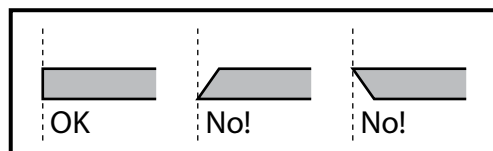
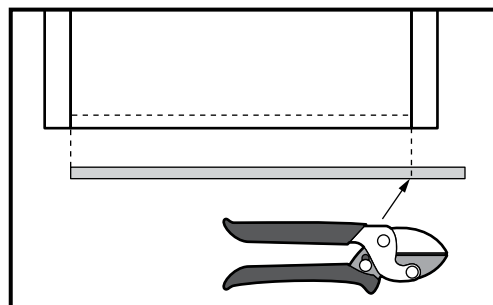
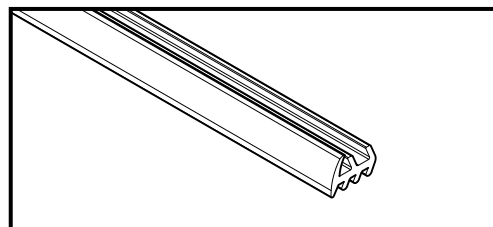
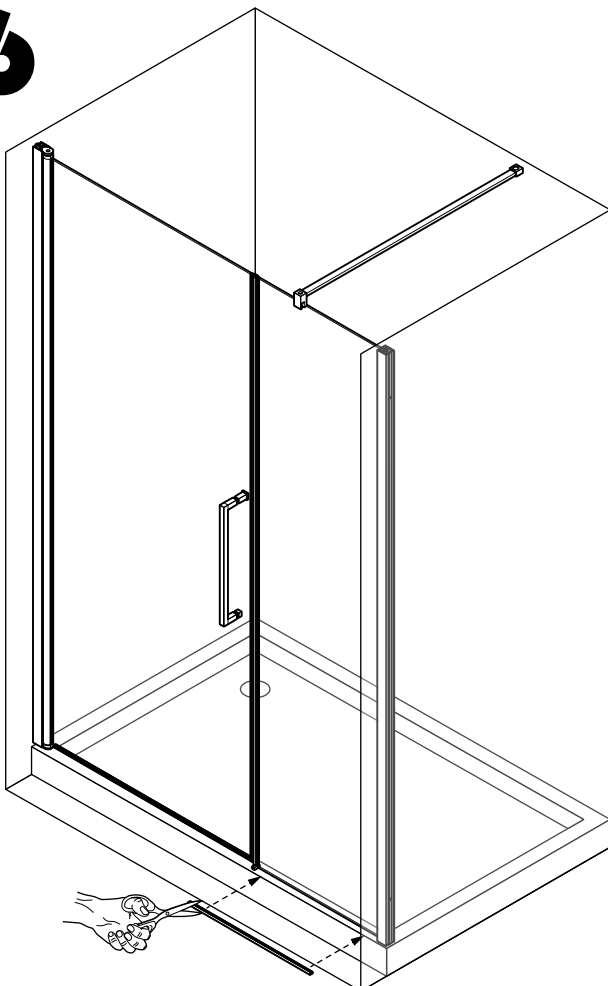
14



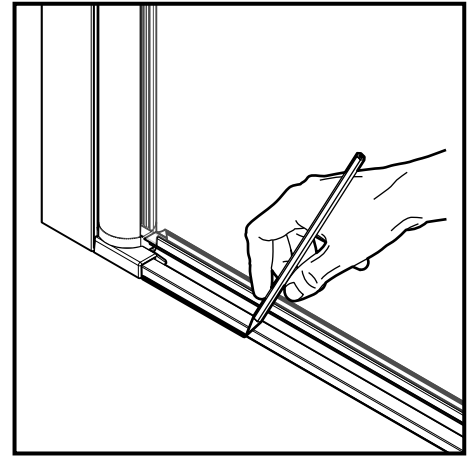
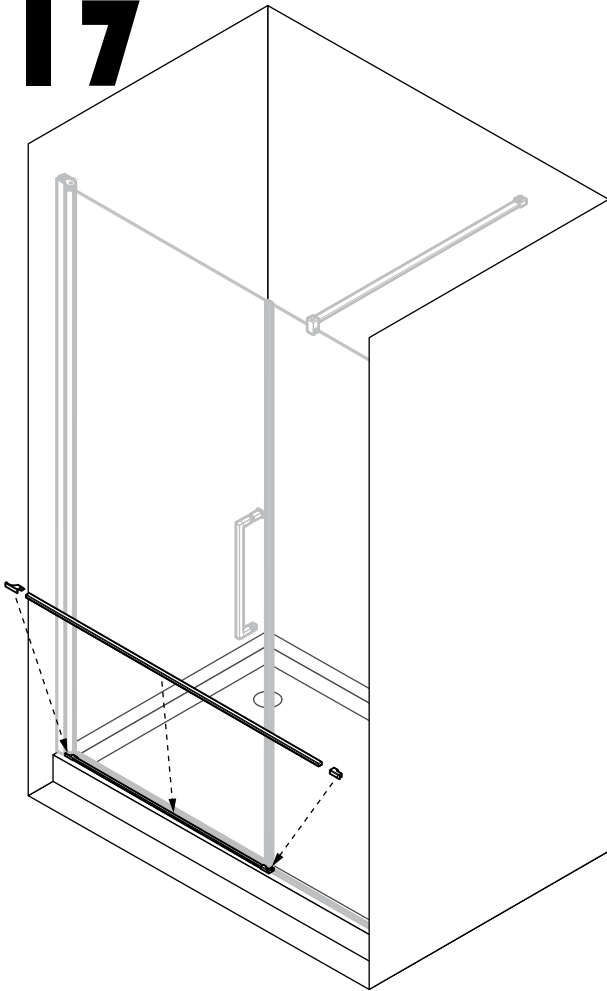
15



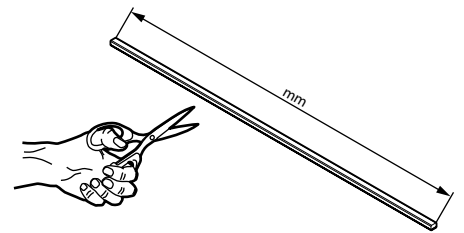
16



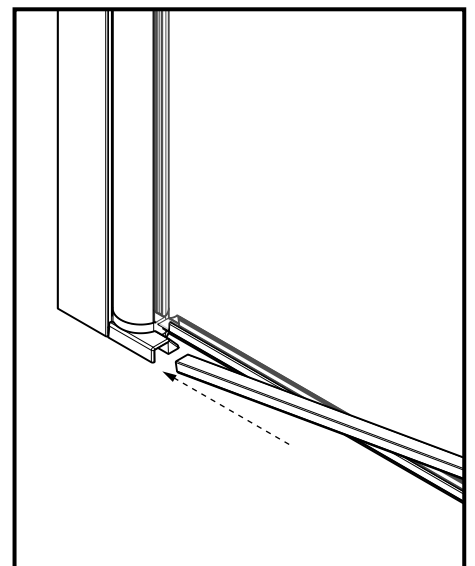
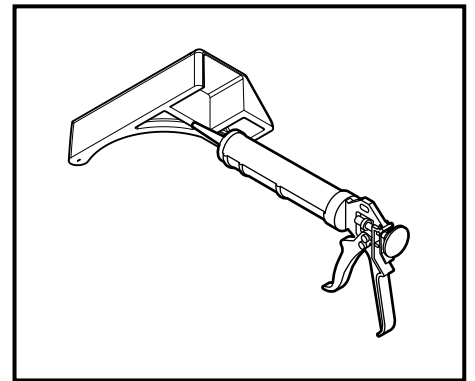
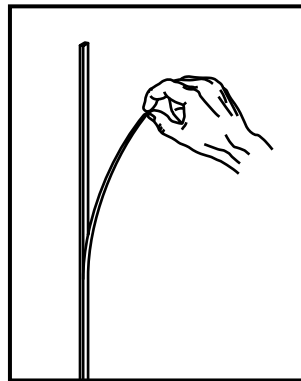
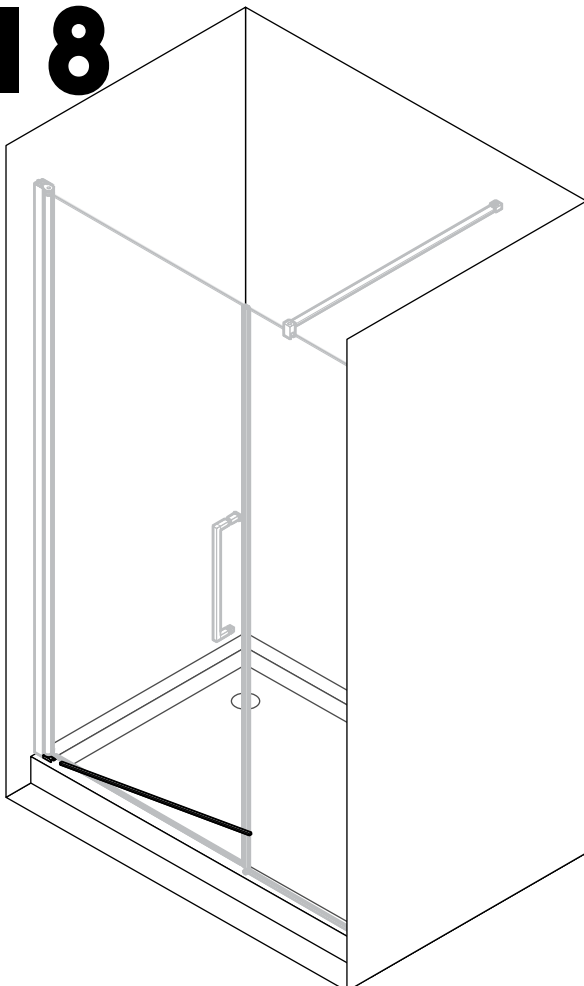
17



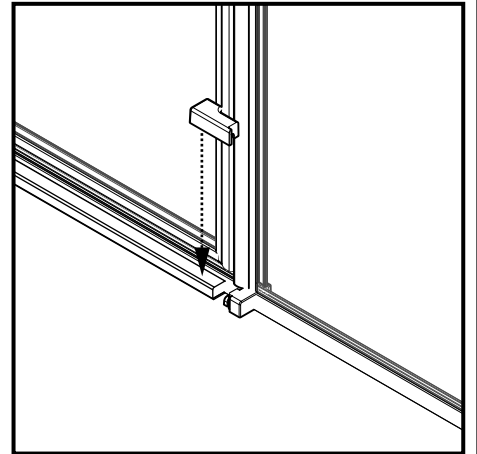
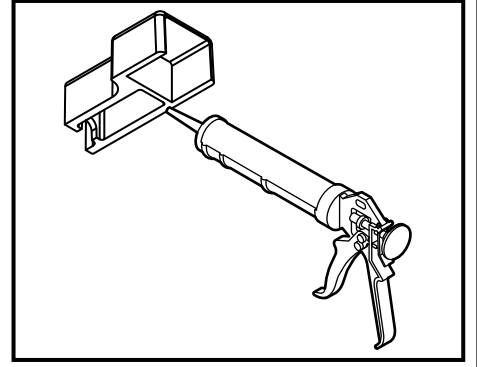
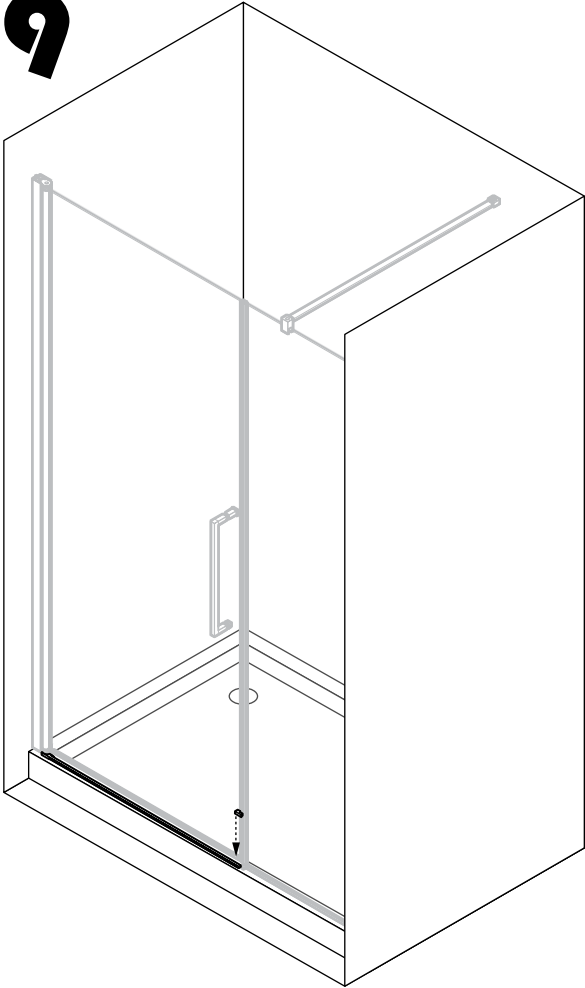
G+FL	mm (Est.-98mm)
97-101	572
114-118	642
117-121	672
137-141	772
147-151	872
157-161	872
167-171	872
177-181	872



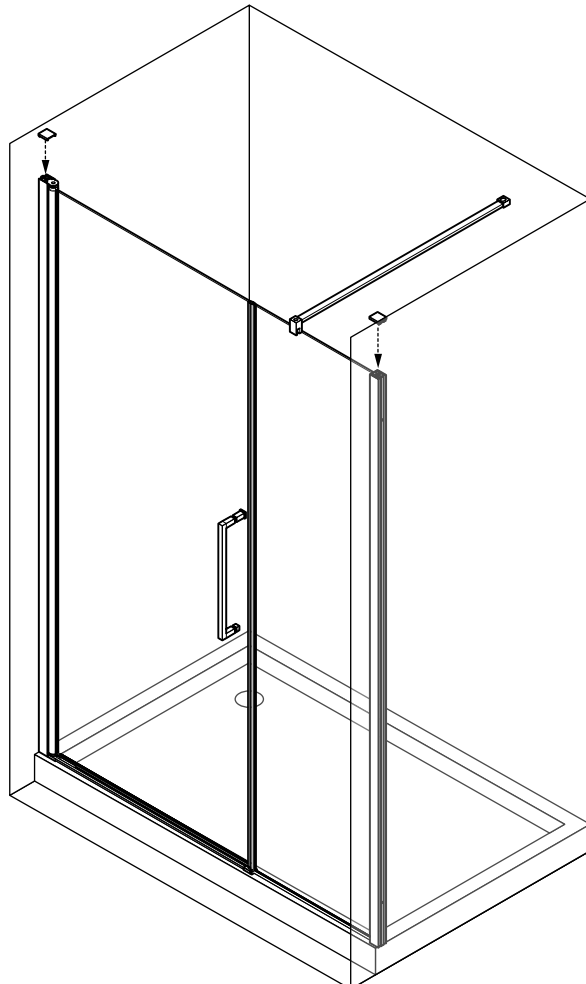
18



19



20



21

